

Wall Basin shower Mixer INSTALLATION INSTRUCTIONS



Abey Australia Pty Limited
57-81 Abey Road
Cobblebank 3338
PHONE: 03 9747 7777

Water Supply Requirements

To ensure optimum performance and customer satisfaction please adhere to the following:

- Maximum hot water temperature 80°C.
- Recommended minimum working pressure 150kPa.
- Recommended maximum working pressure 500kPa.

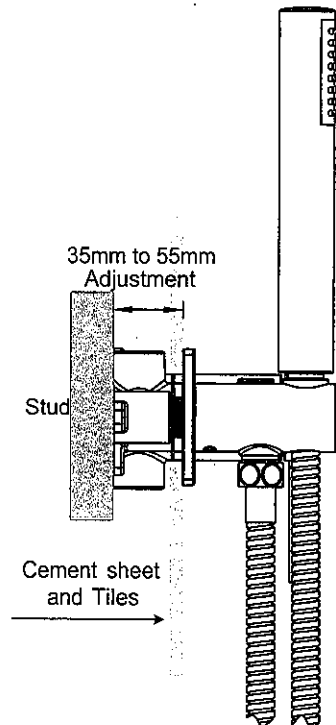
If the water pressure exceeds or is likely to exceed 500kPa, an approved pressure limiting valve must be fitted.

- Flush out all pipe work prior to installation.
- If the water temperature exceeds 80°C an approved tempering valve must be fitted.
- Installation should comply with Australian standard AS3500.1 or relevant local authority requirements.

Failure to comply with the above may void all warranties.

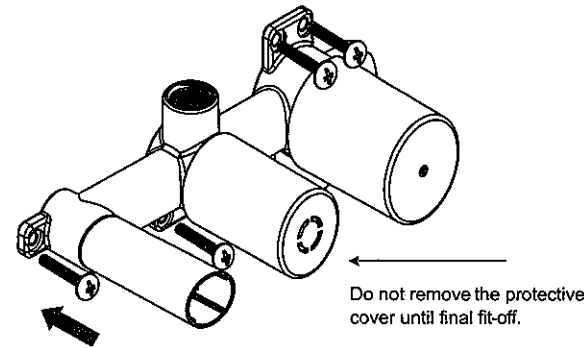
Maintenance and Care

Do not use cleaning agents containing a corrosive acid or scouring agent. Do not use cream cleaners, as they are abrasive. Surfaces should only be cleaned with a cloth and clear water of mild liquid detergent. Use of unsuitable cleaning agents may damage the surface.

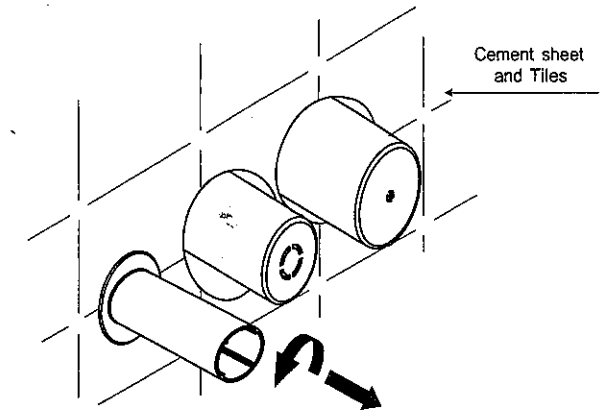


1

Screw the shower mixer assembly in place.

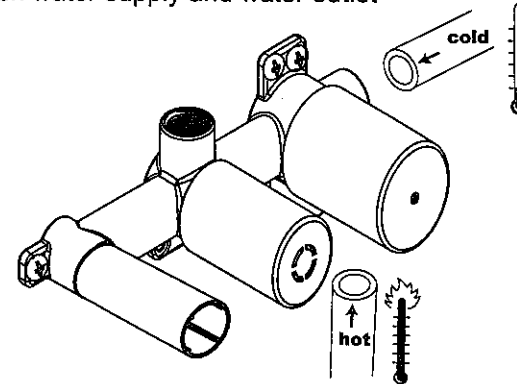


4



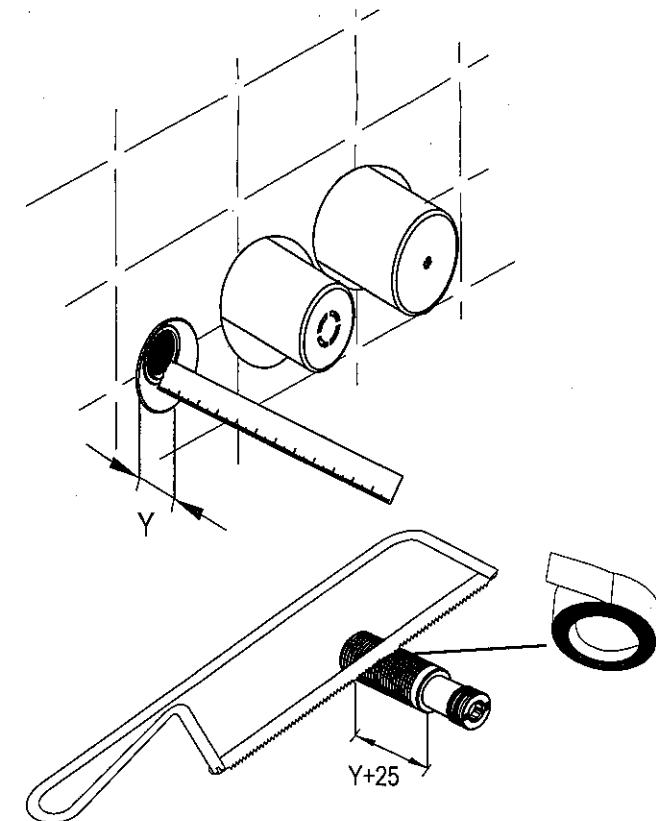
2

Attach water supply and water outlet



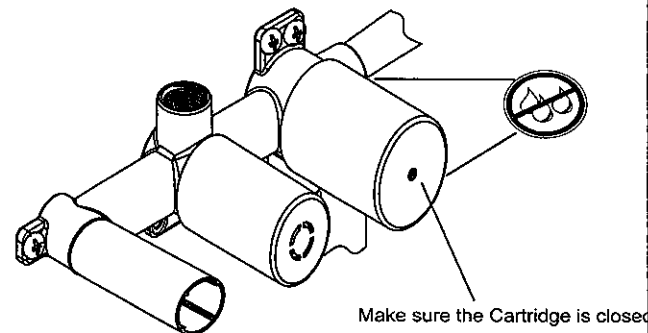
5

Adjust the connector length



3

Test and check for leaks



Wall Basin shower Mixer INSTALLATION INSTRUCTIONS



Abey Australia Pty Limited
57-81 Abey Road
Cobblebank 3338
PHONE: 03 9747 7777

