

INTEGRATED APPLIANCES

SICN 3366



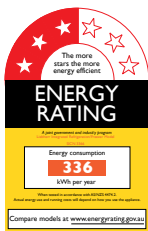
Watch the
integration
ventilation video
here
<https://youtu.be/R0emxcVnj4w>



LIEBHERR

Quality, Design and Innovation

LIEBHERR 60CM INTEGRATED BOTTOM MOUNT SICN 3366



Ice Maker

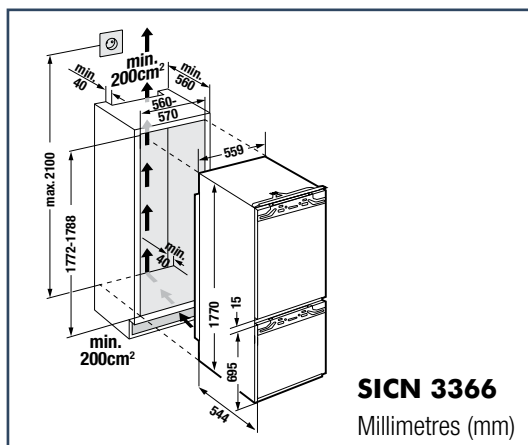
Soft Telescopic

Soft System

No Frost

Duo Cooling

3 Year Warranty



Model	SICN 3366
Type	FI
Finish	Own cabinetry
Energy consumption (kWh/yr) Star rating	336kWh 3.0
Compressors	1
Total capacity litres (L) - Gross Net	283 255
Refrigerator gross (L) net (L)	202 196
Freezer gross (L) net (L)	81 59
MagicEye control system Display	SoftTouch LCD
Child proof setting for display & temp.	•
Premium	•
SoftSystem hinge - assists closure	•
Door open warning signal	•
Temperature alarm	•
Malfunction warning signal	•

Refrigerator Features

Fruit & vegetable drawer on telescopic rails	1
SuperCool	•
GlassLine shelves	•
VarioSafe	Optional accessory
Elegant holding columns	•
Egg tray	•
Automatic refrigerator defrosting	•

Freezer Features

Freezer defrosting	Frost Free
FrostSafe system - transparent drawers	•
Freezer drawers Ice cube drawer	3 1
SuperFrost	•
VarioSpace	•
24hr freezing capacity (kg)	10
Cold storage accumulators	2
IceMaker	• (water tank)
Ice cube capacity (kg/24h)	0.8
Ice cube stock max. (kg)	1.6

Technical Information

Default hinge	Left
Voltage (V) Rated Input Power (W)	220-240 336
Made in	Germany

KEY: FI = Fully Integrated. Door hinging either right or left hand must be nominated for this model.

Whilst every effort is made to ensure all specifications and information in this flyer are correct at time of printing, Andi-Co Australia Pty. Ltd. reserve the right to make changes without notification. Where actual appliance measurements, specifications and ratings are crucial, we recommend that the actual appliance installation instructions that accompany each appliance be checked. Andi-Co Australia will not be liable for any loss.