



Color Variants

VL200120
Black anodized control panel in aluminium
Width 15 cm

Optional accessories

LS041001
Stainless steel

Installation Accessories

AD410040
Flexibel connecting piece for VL 200 DN 150 flat
AD851041
Connecting piece VL 200 for extension with flat duct DN 150 for extra deep worktop
VV200010
Stainless steel connection strip for combination with other Vario appliances of the 200 series
VV200020
Black connection strip for combination with other Vario appliances of the 200 series

VL200120

Vario downdraft ventilation 200 series

Black anodized control panel in aluminium

Width 15 cm

Air extraction / Air recirculation

Motorless

Can be combined with the cooktops of the Vario 200 series to a harmonic unity
Highly efficient ventilation system at the cooktop integrated in the worktop
Function for automatic, sensor-controlled power adjustment depending on the build-up of cooking vapours
Minimal planning and easy installation
Air extraction or air recirculation system

Output

Power levels depend on the remote fan unit.
Low-noise system with the motor AR 410 110

Features

Control knobs with illuminated ring.
3 electronically controlled power levels and 1 intensive mode.
Automatic function with sensor-controlled run-on function.
Large-scale metal grease filter with high grease absorption.
Grease filter, dishwasher-safe.
Grease filter and activated charcoal filter saturation indicator.
Airflow-optimised interior for efficient air circulation.
Interval ventilation, 6 min.
Enamelled ventilation grille, dishwasher-safe.
Air exhaust bend included in delivery.
Overflow 250 ml capacity.

Consumption data

Consumption data is referred to a configuration with the remote fan unit AR 403 122.
Energy consumption 48.3 kwh/year.
Sound level min. 56 dB / max. 71 dB normal mode.

Planning notes

Air recirculation mode in combination with remote fan unit with AR 410 110 or AR 413 122.
Air extraction in combination with remote fan unit AR 403 122.
Please refer to page XX for recommended configurations of downdraft ventilations and remote fan units and the needed ducting elements. For each VL one remote fan unit is recommended.
Maximum cooktop width between two VL 60 cm.
If installed next to gas appliances, the ventilation moulding LS 041 001 is recommended to ensure maximum performance of the cooktop.
When having installed the ventilation moulding LS 041 001 the wok pan WP 400 001 can not be used.
When installing a ventilation hood with air extraction mode and a chimney-vented fireplace, the power supply line of the ventilation appliance needs a suitable safety switch.

Connection

Connecting cable 1.7 m between VL and remote fan unit.

Characteristics

Product name/family

Color chimney

Typology

Approval certificates

Australia Standards, CE, Eurasian, G-Mark, VDE

Length electrical supply cord (cm)
170

Required niche size for installation (HxWxD)

175mm x 170mm x 492mm

Height of the chimney (mm)

Height of product, without chimney (mm)

Minimum distance above an electric hob

Minimum distance above a gas hob

Net weight (kg)

7.151

Type of control

Electronic

Number of speed settings

Maximum output air extraction (m³/h)
550

Boost position output recirculating (m³/h)

Maximum output recirculating air (m³/h)

Boost position air extraction (m³/h)

Number of lights

Noise level (dB)

71

Diameter of air outlet (mm)

Grease filter material

EAN code

4242006280604

Consumption and connection features

Connection Rating (W)

Current (A)

Voltage (V)

Frequency (Hz)

50; 60

Plug type

Installation typology

Built-in

2019-07-25

Page 1

VL200120

Vario downdraft ventilation 200 series

Black anodized control panel in aluminium

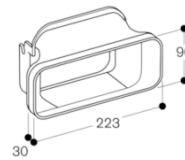
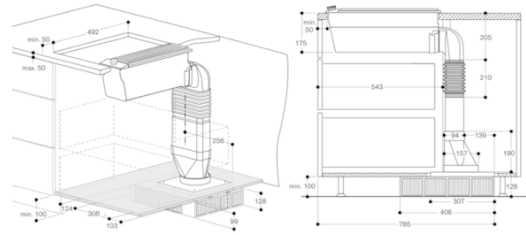
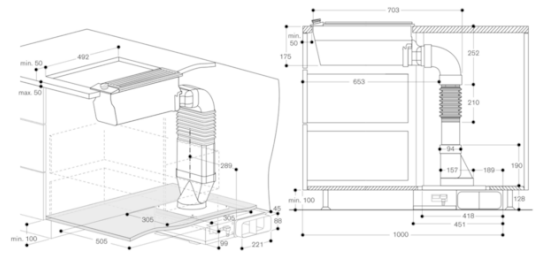
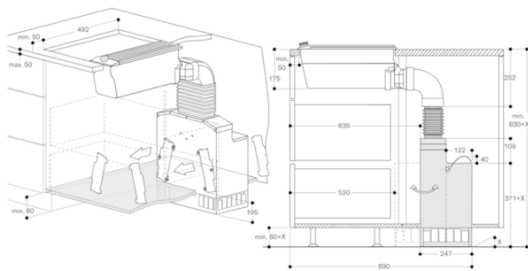
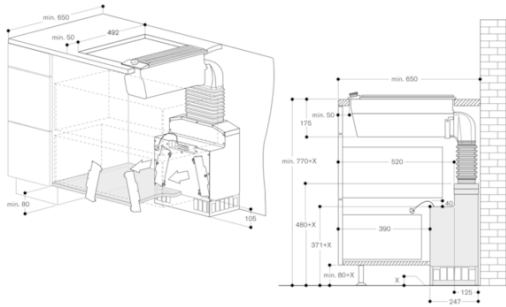
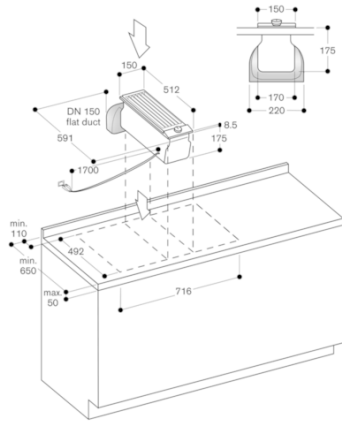
Width 15 cm

Air extraction / Air recirculation

Motorless

2019-07-25

Page 2



GAGGENAU

VL200120
Vario downdraft ventilation 200 series
Black anodized control panel in
aluminium
Width 15 cm
Air extraction / Air recirculation
Motorless
2019-07-25
Page 3

