



#### Color Variants

VG264220AU

Black anodized control panel in

aluminium

Width 60 cm

#### Installation Accessories

VV200010

Stainless steel connection strip  
for combination with other Vario  
appliances of the 200 series

VV200020

Black connection strip for combination  
with other Vario appliances of the 200  
series

VG264220AU

Vario gas cooktop 200 series

Black anodized control panel in  
aluminium

Width 60 cm

Can be combined with the cooktops  
of the Vario 200 series to a harmonic  
unity

Control panel for comfortable and  
secure operation

Mechanical power level regulation for  
9 power levels, with exact setting and  
reproduction of flame size

Solid smooth-surface cast iron  
pan supports for easy and safe  
positioning of cookware

#### Cooking zones

2 high output burner with 10.8 MJ/h,  
suitable for pots up to max. ø 22 cm.

2 standard burners with 6.8 MJ/h,  
suitable for pots up to max. ø 20 cm.

#### Handling

Control knobs with illuminated ring.

Integrated control panel.

One-handed operation.

Electric ignition.

#### Features

Two-part cast iron pan support with  
continuous pot surface.  
Enamelled burner cover.

#### Safety

Thermoelectric safety pilot.

Residual heat indicator.

Operation indicator.

#### Planning notes

Appliance can be snapped into the  
worktop from above.

A minimum lateral clearance of at least

150 mm from adjacent heat-sensitive

furniture or contact surfaces must be

observed or thermal insulation fitted.

With a total connected load of more

than 39.6 MJ/h local regulations

concerning room ventilation, room

size and combination of extraction or

recirculation hoods must be observed.

Minimum clearance between gas

cooktop(s) with more than 39.6 MJ/h

(11kW) and ventilation hood 70 cm.

No intermediate shelf required.

Appliance weight: approx. 15 kg.

#### Connection

Total connected load gas 35.2 MJ/h

Total connected load electric 10.0 W.

Connecting cable 1.7 m with plug.

Natural gas 10 mbar

Nozzles for liquid gas included

#### Characteristics

Product name/family

gas hob w integrated controls

Built-in / Free-standing

CONSTR\_TYPE.Built-in

Energy input

Gas

Total number of positions that can be  
used at the same time

4

Required niche size for installation  
(HxWxD)

106 x 560 x 492

Width of the product (mm)

580

Dimensions of the product (mm)

106 x 580 x 512

Dimensions of the packed product

(HxWxD) (mm)

250 x 600 x 780

Net weight (kg)

14.978

Gross weight (kg)

16.0

Residual heat indicator

Separate

Location of control panel

Hob front

Basic surface material

brushed stainless steel

Color of surface

Stainless steel

Color of frame

Stainless steel

Approval certificates

Australia Standards, Australia

Standards

Length electrical supply cord (cm)

170

EAN code

4242006280314

#### Consumption and connection features

Electrical connection rating (W)

10

Gas connection rating (W)

9800

Current (A)

10

Voltage (V)

220-240

Frequency (Hz)

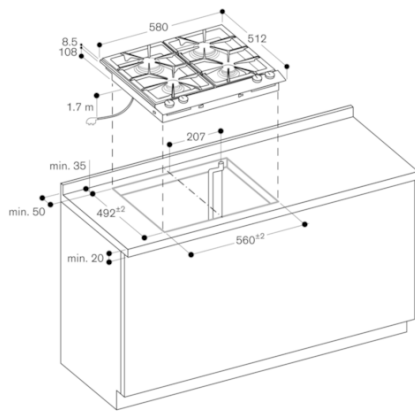
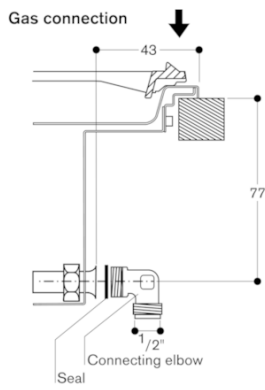
50; 60

2019-07-29

Page 1

VG264220AU  
Vario gas cooktop 200 series  
Black anodized control panel in  
aluminium  
Width 60 cm

2019-07-29  
Page 2



Minimum distance from the appliance cut-out to the side wall 150 mm.