

Color Variants

VG231220AU

Black anodized control panel in

aluminium

Width 28 cm

Included accessories

1 x WOK attachment ring.

Optional accessories

VD200020

Black appliance cover anodized

aluminium

WP400001

Wok pan made of multiple-layer

material

Installation Accessories

VV200010

Stainless steel connection strip

for combination with other Vario

appliances of the 200 series

VV200020

Black connection strip for combination

with other Vario appliances of the 200

series

VG231220AU

Vario gas wok 200 series

Black anodized control panel in

aluminium

Width 28 cm

Wok burner with up to 18MJ

Can be combined with the cooktops of the Vario 200 series to a harmonic unity

Control panel for comfortable and secure operation

Mechanical power level regulation for 9 power levels, with exact setting and reproduction of flame size

Multi-ring burner of solid, heat-resistant brass as used in professional kitchen

Cooking zones

1 multi-ring wok burner with 18 MJ/h, suitable for pots up to max. ø 30 cm.

Handling

Control knobs with illuminated ring.

Integrated control panel.

One-handed operation.

Electric ignition.

To close the cover, the cast iron pan support can be easily reversed.

Features

Cast iron pan support.

Brass burner rings.

Safety

Thermoelectric safety pilot.

Residual heat indication.

Operation indicator.

Planning notes

Appliance can be snapped into the worktop from above.

A minimum clearance of at least 150 mm from adjacent heat-sensitive furniture or contact surfaces must be observed or thermal insulation fitted.

With a total connected load of more than 39.6 MJ/h local regulations concerning room ventilation, room size and combination of extraction or recirculation hoods must be observed.

Minimum clearance between gas cooktop(s) with more than 39.6 MJ/h (11kW) and ventilation hood 70 cm. Appliance weight: approx. 10 kg.

Connection

Total connected load gas 18.0 MJ/h

Total connected load electric 10.0 W.

Connecting cable 1.7 m with plug.

Natural gas 10 mbar

Nozzles for liquid gas included

Characteristics

Product name/family

Vario/Domino gas hob w control

Built-in / Free-standing

CONSTR_TYPE.Built-in

Energy input

Gas

Total number of positions that can be used at the same time

1

Required niche size for installation (HxWxD)

106 x 268 x 492

Width of the product (mm)

288

Dimensions of the product (mm)

106 x 288 x 512

Dimensions of the packed product (HxWxD) (mm)

260 x 400 x 600

Net weight (kg)

10.014

Gross weight (kg)

11.0

Residual heat indicator

Separate

Location of control panel

Hob front

Basic surface material

brushed stainless steel

Color of surface

Stainless steel

Color of frame

Stainless steel

Approval certificates

Australia Standards, Australia

Standards

Length electrical supply cord (cm)

170

EAN code

4242006279974

Consumption and connection features

Electrical connection rating (W)

10

Gas connection rating (W)

5000

Current (A)

10

Voltage (V)

220-240

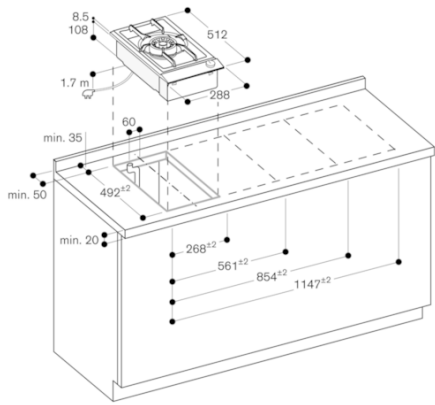
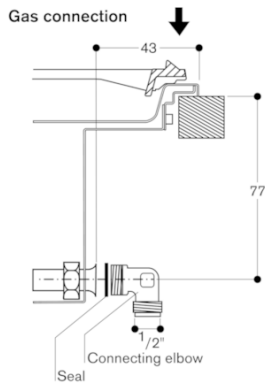
Frequency (Hz)

60; 50

2019-07-19

Page 1

VG231220AU
Vario gas wok 200 series
Black anodized control panel in
aluminium
Width 28 cm
Wok burner with up to 18MJ
2019-07-19
Page 2



Minimum distance from the appliance cut-out to the side wall 150 mm.