



CX482110
Full surface induction cooktop 400 series
Stainless steel frame
Width 80 cm

Can be combined perfectly with other Vario appliances of the 400 series
One single large cooking surface
Free positioning of cookware
All sizes and formats of cookware can be used
TFT touch display for an intuitive control of all functions
Cooking sensor function for temperature control in pots
Professional cooking function
Max. power output for big cookware of up to 5.5 KW
Precision crafting of 3 mm stainless steel
For surface mounting with a visible edge or for flush mounting

Cooking zones

Up to 5 items of cookware can be placed simultaneously on the cooktop. One unique cooking surface of 2750 cm².

Handling

Easy to use colour graphic TFT touch display with use indications.
Electronic power control in 17 output levels.

Features

Cooking sensor function.
Professional cooking function.
Dynamic cooking function.
Teppan Yaki function.
Booster function for pots.
Booster function for pans.
Keep warm function.
Individual pot detection.
Cooking timer for each cooking position.
Stopwatch.
Short-term timer.
Information key with use indicators.
Power management.

Safety

Main switch.
3-stage residual heat indicator.
Child lock.
Safety shut-off.
Pause function.

Planning notes

Depending on the type of installation (surface-mounted or flush-mounted), the specific definition of the cut-out must be observed.
Appliance can be snapped into the worktop from above.
If combining several appliances with at least one appliance cover, the filler strip VA 450 is required to compensate for the depth of the appliance without the appliance cover.
If combining several Vario appliances of the 400 series, a connection strip VA 420 must be placed between the appliances. Depending on the type of installation, the corresponding connection strip must be provided.
In the cut-out, the installation system requires the side edge to be at least 10 mm for surface mounting and at least 13 mm for flush mounting. Ensure a continuous cut surface of 90°.
The bearing capacity and stability, in the case of thin worktops in particular, must be supported using suitable substructures. Take into account the appliance weight and additional loads.

Characteristics

Product name/family
Cooking zone ceramic

Construction type
Built-in

Energy input
Electric

Total number of positions that can be used at the same time
5

Type of control setting devices
Required niche size for installation (HxWxD)
65 x 784-784 x 492-492

Width of the product (mm)
804

Dimensions of the product (mm)
65 x 804 x 520

Dimensions of the packed product (HxWxD) (mm)
152 x 951 x 636

Net weight (kg)
27.200

Gross weight (kg)
29.0

Residual heat indicator
Separate

Location of control panel
Hob front

Type of external control possibility
Basic surface material

Color of surface
anthracite, Stainless steel

Color of frame
Stainless steel

Approval certificates
AENOR, CE

Length electrical supply cord (cm)
150

EAN code
4242006269814

Consumption and connection features

Electrical connection rating (W)
7400

Gas connection rating (W)

Current (A)

Voltage (V)
220-240

Frequency (Hz)
50; 60

2019-07-29
Page 1

Additional instructions for flush mounting:
Installation is possible in worktops made of stone, synthetics or solid wood. Heat resistance and watertight sealing of the cut edges must be observed. Concerning other materials please consult the worktop manufacturer.
The groove must be continuous and even, so that uniform placing of the appliance on the gasket is ensured. Do not use discontinuous lining.
The joint width may vary due to size tolerances of the combinations and of the worktop cut-out.
If installing several appliances in individual cut-outs allow for a division bar of minimum 50 mm between the individual cut-outs.
Operates with magnetic (induction) iron pots and pans only. For an optimal heat distribution, the use of sandwich bottom cookware is recommended.
The wok pan WP 400 001 cannot be used with this appliance.
Intermediate shelf is recommended.
Appliance weight: approx. 27 kg.

Connection

Total connected load 7.4 kW.
Connecting cable 1.5 m without plug.
Power consumption standby/display off 0.5 W.

Color Variants

CX482110
Stainless steel frame
Width 80 cm

Included accessories

1 x wireless temperature sensor for cooktop.

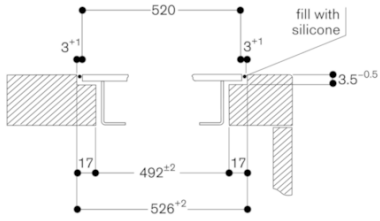
Optional accessories

CA060300
Cooking sensor for temperature regulation within pots
GN232110
Teppan Yaki plate made of multi ply material

Installation Accessories

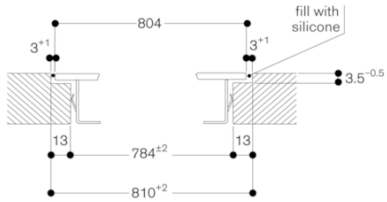
VA420000
Connection strip for combination with other Vario appliances of the 400 series for flush mounting
VA420001
Connection strip for combination with other Vario appliances of the 400 series for flush mounting with appliance cover/filler strip
VA420010
Connection strip for combination with other Vario appliances of the 400 series for surface mounting
VA420011
Connection strip for combination with other Vario appliances of the 400 series for surface mounting with appliance cover/filler strip
VA450800
Stainless steel filler strip 80 cm

Cross-section

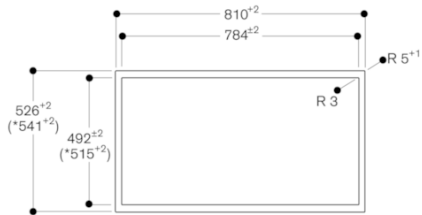


When installing with appliance cover or filler strip, pay attention to the deeper cut-out and the front and rear groove width.

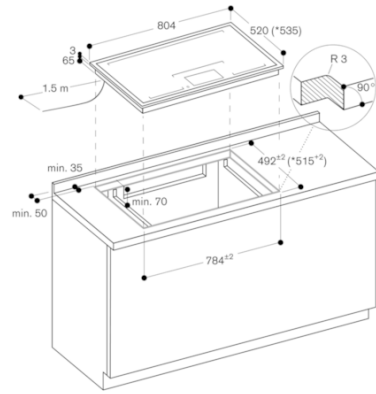
Longitudinal section



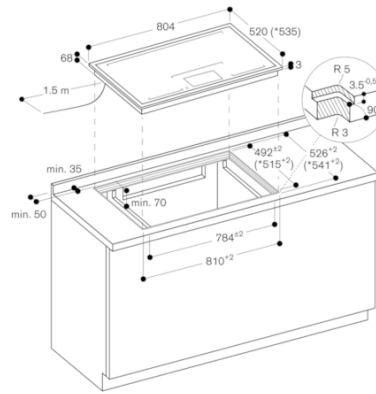
View from above



* with filler strip.



* with filler strip
 See separate planning notes.



* with filler strip
 See separate planning notes.