



AF210161
Slideout rangehood 200 series
Width 60 cm
Air extraction / Air recirculation

Unobtrusive slideout rangehood design thanks to integrated glass panel in the steam screen
Especially quiet operation thanks to integrated sound insulation
Steam screen extends by touching the handle bar
Especially high air output
Energy-saving, low-noise fan
Function for automatic, sensor-controlled power adjustment depending on the build-up of cooking vapours
Dimmable, neutral white LED light for ideal illumination of the whole cooktop
The patented lowering frame allows the slideout rangehood to disappear completely into the upper cabinet
Air extraction or air recirculation system
Air recirculation module with activated charcoal filter: quiet and highly efficient air recirculation solution with odour reduction in air extraction mode and long replacement intervals

Output
 3 electronically controlled power levels and 1 intensive mode.
 Air extraction:
 514 / 953 m³/h.
 57 / 71 dB (A) re 1 pW.
 44 / 58 dB (A) re 20 µPa.
 Air recirculation:
 496 / 884 m³/h.
 62 / 69 dB (A) re 1 pW.
 49 / 56 dB (A) re 20 µPa.
 Odour reduction air recirculation 91%.

Features
 Stainless steel handle bar
 Controls at front.
 Automatic function with sensor-controlled run-on function.
 Grease filter saturation indicator.
 Stainless steel grease filter, dishwasher-safe.
 Neutral white LED light (3500 K), continuously dimmable.
 Lamp output 2 x 3 W.
 Illuminance 669 lx.
 Light can be switched on separately.
 Fan technology with highly efficient, brushless DC motor (BLDC).
 Integrated sound insulation for quiet operation.
 The fan is activated when the steam screen is extended.
 Patented technology for extension of the steam screen.
 Extendable steam screen 198 mm.
 Airflow-optimised interior for efficient air circulation and ease of cleaning.
 Patented easy mounting system for simple installation.
 The package includes an one-way flap.

Consumption data
 Energy consumption 41.8 kwh/year.
 Sound level min. 41 dB / max. 57 dB normal mode.

Planning notes
 Patented air recirculation module with activated charcoal filter can be installed in the upper cabinet. The activated carbon filter can be changed from the front by simply pulling out the activated charcoal filter.

Characteristics
Product name/family
Color chimney
Typology
 Pull-out
Approval certificates
 Australia Standards, CE, Eurasian, G-Mark, Ukraine, VDE
Length electrical supply cord (cm)
 175
Required niche size for installation (HxWxD)
 349mm x 524mm x 290mm
Height of the chimney (mm)
Height of product, without chimney (mm)
Minimum distance above an electric hob
 430
Minimum distance above a gas hob
 650
Net weight (kg)
 14.018
Type of control
 Electronic
Number of speed settings
Maximum output air extraction (m³/h)
 514
Boost position output recirculating (m³/h)
 884
Maximum output recirculating air (m³/h)
 496
Boost position air extraction (m³/h)
 953
Number of lights
 2
Noise level (dB)
 57
Diameter of air outlet (mm)
 120 / 150
Grease filter material
 Washable stainless steel
EAN code
 4242006267247

Consumption and connection features
Connection Rating (W)
 266
Current (A)
 10
Voltage (V)
 220-240
Frequency (Hz)
 50; 60
Plug type
 CH plug w/ earthing, GARDY plug w/ earthing, GB plug
Installation typology
 Built-in
2019-07-22
Page 1

The door of the upper cabinet must be fully open in order to change the activated charcoal filter.
 To be installed in an upper cabinet without base.
 The required cavity depth of the upper cabinet together with the lowering frame measures 335 mm.
 The required cavity height of the upper cabinet together with the lowering frame measures 600 mm.
 Clearance above electric appliances min. 43 cm.
 Minimum clearance between gas cooktop(s) with more than 39.6 MJ/h and ventilation hood 70cm. For more details, please refer to gas cooktop(s) installation manual(s).
 When installing a ventilation hood with air extraction mode and a chimney-vented fireplace, the power supply line of the ventilation appliance needs a suitable safety switch.

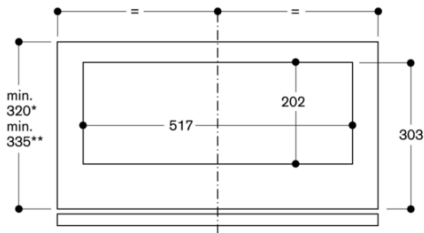
Connection
 Total connected load 266 W.
 Connecting cable 1.8 m, pluggable.

Color Variants
 AF210161
 Width 60 cm
 Air extraction / Air recirculation

Optional accessories
 AA210110
 1 activated charcoal filter with high efficient odour reduction due to increased surface. For air recirculation module AA 211 812.
 AA211812
 Patented air recirculation module including 1 activated charcoal filter with high efficient odour reduction due to increased surface

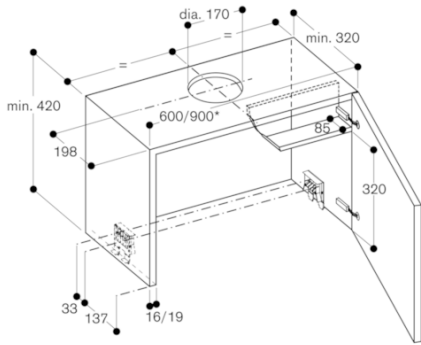
Installation Accessories
 AA210460
 Lowering frame for 60 cm flat kitchen hood

View of upper cabinet from above with AA 211 812



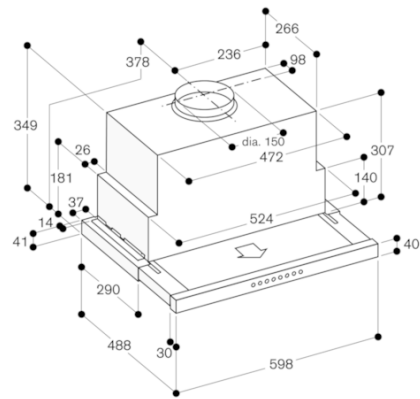
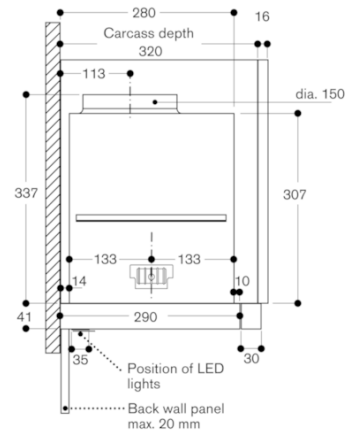
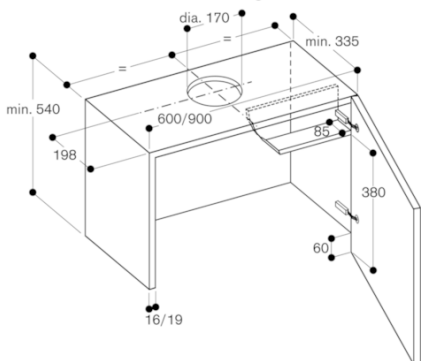
* Appliance only
 ** Appliance with AA 210 490/460 lowering frame

Upper cabinet for AF 210



* for upper cabinets measuring 90 cm, the AA 210 491 installation set is required in addition

Upper cabinet for AF 210 with AA 210 460/AA 210 490 lowering frame



Cross-section of upper cabinet with AA 211 812 and AA 210 490/460 lowering frame

