



AC200161
Integrated rangehood 200 series
Width 52 cm
Air extraction / Air recirculation

Can be integrated invisibly in upper cabinet
Rim extraction with flat and easy-to-clean glass underside
Dimmable, neutral white LED light for ideal illumination of the whole cooktop
Air extraction or air recirculation system
Energy efficiency class A++ at a range of energy efficiency classes from A++ to E.

Output
3 electronically controlled power levels and 1 intensive mode.
Air extraction:
540 / 730 m³/h.
64 / 70 dB (A) re 1 pW.
51 / 57 dB (A) re 20 µPa.
Air recirculation:
530 / 690 m³/h.
72 / 77 dB (A) re 1 pW.
59 / 64 dB (A) re 20 µPa.
Odour reduction air recirculation 92 %.

Features
Stainless steel and glass
Remote control is available as a special accessory.
Interval ventilation, 6 min.
Run-on function, 6 min.
Grease filter saturation indicator.
Metal grease filter, dishwasher-safe.
Glass filter cover.
Neutral white LED light (4000 K), dimmable.
Lamp output 2 x 1 W.
Illuminance 244 lx.
Fan technology with highly efficient, brushless DC motor (BLDC).

Consumption data
Energy consumption 29.6 kwh/year.
Sound level min. 44 dB / max. 64 dB normal mode.

Planning notes
Patented air recirculation module with activated charcoal filter can be installed in the upper cabinet. The activated carbon filter can be changed from the front by simply pulling out the filter drawer.
The door of the upper cabinet must be fully open in order to change the activated charcoal filter.
Can be integrated invisibly in upper cabinet.
Vario cooktops with intensive production of vapours like VR/VP should be placed in the middle beneath the hood (in this case air recirculation is not recommended).
Minimum clearance between gas cooktop(s) with more than 39.6 MJ/h and ventilation hood 70cm. For more details, please refer to gas cooktop(s) installation manual(s).
Clearance above electric appliances min. 50 cm.
When installing a ventilation hood with air extraction mode and a chimney-vented fireplace, the power supply line of the ventilation appliance needs a suitable safety switch.

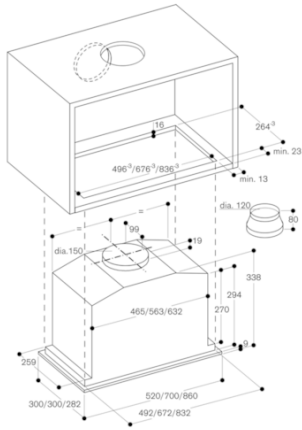
Connection
Total connected load 172 W.
Connecting cable 1.0 m with plug.

Characteristics
Product name/family
Color chimney
Typology
Traditional
Approval certificates
CE, Eurasian, G-Mark, Ukraine
Length electrical supply cord (cm)
100
Required niche size for installation (HxWxD)
418mm x 496mm x 264mm
Height of the chimney (mm)
Height of product, without chimney (mm)
Minimum distance above an electric hob
500
Minimum distance above a gas hob
650
Net weight (kg)
10.800
Type of control
Electronic
Number of speed settings
Maximum output air extraction (m³/h)
540
Boost position output recirculating (m³/h)
690
Maximum output recirculating air (m³/h)
530
Boost position air extraction (m³/h)
730
Number of lights
2
Noise level (dB)
64
Diameter of air outlet (mm)
120 / 150
Grease filter material
Washable aluminium
EAN code
4242006285500

Consumption and connection features
Connection Rating (W)
172
Current (A)
3
Voltage (V)
220-240
Frequency (Hz)
50
Plug type
Gardy plug w/ earthing
Installation typology
Built-in
2019-07-29
Page 1

Color Variants
AC200161
Width 52 cm
Air extraction / Air recirculation

Optional accessories
AA200510
Remote control for canopy extractor AC200
AA210110
1 activated charcoal filter with high efficient odour reduction due to increased surface. For air recirculation module AA 211 812.
AA211812
Patented air recirculation module including 1 activated charcoal filter with high efficient odour reduction due to increased surface



View of upper cabinet from above with AC 200 and AA 211 812

