

Serie | 8
CSG656RS2A
Compact steam oven

Included accessories

1 x steam container, punched, size S, 1 x steam container, punched, size XL, 1 x steam container, unpunched, size S, 1 x grid, 1 x universal pan

Optional accessories

HEZ327000 : Pizza stone
 HEZ36D353P : porcelain tray-GN2/3- unpunched
 HEZ617000 : Pizza pan, anthracite enamelled
 HEZ625071 : Grill tray, anthracite enamelled
 HEZ631070 : Baking tray, anthracite enamelled
 HEZ632070 : Multipurpose pan, anthracite enamelled
 HEZ636000 : Glass pan
 HEZ660050 : Cover Strip
 HEZ660060 : Strip
 HEZ6MCF0 : Cookbook
 HEZ915003 : Glass roasting dish, 5,4 L

The compact steam oven with PerfectBake and PerfectRoast: you get perfect results, automatically and gently.

- **TFT touchscreen control:** easy-to-use thanks to the control ring with full text and colour images.
- **Bosch Assist:** automatic setting of the optimal type of heat, temperature and time for countless dishes.
- **PerfectBake Sensor and PerfectRoast meat probe:** the easy way to perfect baking and roasting results.
- **Steam baking:** by adding steam, foods turn out crispy on the outside and juicy on the inside.

Technical Data

Color / Material Front :	Stainless steel
Built-in / Free-standing :	Built-in
Door opening :	Drop down
Required niche size for installation (HxWxD) :	450-455 x 560-568 x 550
Dimensions of the product (mm) :	455 x 594 x 548
Dimensions of the packed product (HxWxD) (mm) :	520 x 650 x 710
Control Panel Material :	Stainless steel
Door Material :	Glass
Net weight (kg) :	36.5
Approval certificates :	CE, VDE
Length electrical supply cord (cm) :	150
EAN code :	4242005125944
Current (A) :	16
Voltage (V) :	220-240
Frequency (Hz) :	60; 50
Plug type :	no plug
Approval certificates :	CE, VDE
Number of cavities (2010/30/EC) :	1
Usable volume (of cavity) - NEW (2010/30/EC) :	47
Energy efficiency class (2010/30/EC) :	A+
Energy consumption per cycle conventional (2010/30/EC) :	0.73
Energy consumption per cycle forced air convection (2010/30/EC) :	0.61
Energy efficiency index (2010/30/EC) :	81.3



Serie | 8 Steam Ovens

CSG656RS2A

Compact steam oven

The compact steam oven with PerfectBake and PerfectRoast: you get perfect results, automatically and gently.

Heating Functions

- Compact steam oven with 14 heating methods:
 - 4D HotAir
 - 4D HotAir Eco
 - Top/bottom heating
 - Top/bottom heating Eco
 - Hot air grilling
 - Full width grill
 - Half width grill
 - Pizza setting
 - Bottom heating
 - Intensive heat
 - Slow cooking
 - Preheat ovenware
 - Drying
 - Keep warm
- Additional heating methods with steam: Pure steaming, Reheating, Dough Proving, Defrost
- Rapid heating-up
- Temperature range 30 °C - 250 °C

Sensor Technology & Automatic Programs

- Bosch Assist - a menu of dishes for automatic cooking
- PerfectBake baking sensor
- PerfectRoast multipoint meat probe

Design

- TFT Touch Graphic Display
- Drop down door, Oven door with SoftClose , SoftOpen
- LED lighting
- Cavity volume: 47 net usable litres
- Anthracite enamel cavity with 3 shelf positions

Convenience

- Automatic temperature proposal
 - Actual temperature display
 - Residual heat indicator
 - Sabbath mode
- Cavity with shelf support rails, 1 level telescopic rail, fully extendable, safety stop function
- Electronic clock/timer with end time programming
- Large 1 litre water tank
- Water tank empty indicator
- Info button
- EcoClean Direct : back panel, ceiling, side liners
- Additional functions:
 - Descaling programme
 - Drying function
- Full glass inner door

Safety and Environment

- Triple glazed door
- Child lock function
 - Automatic safety switch off function
 - Residual heat indicator start button
 - Door contact switch
- Cooling fan

2 year warranty

Accessories

- 1 x steam container, punched, size S, 1 x steam container, punched, size XL, 1 x steam container, unpunched, size S, 1 x grid, 1 x universal pan

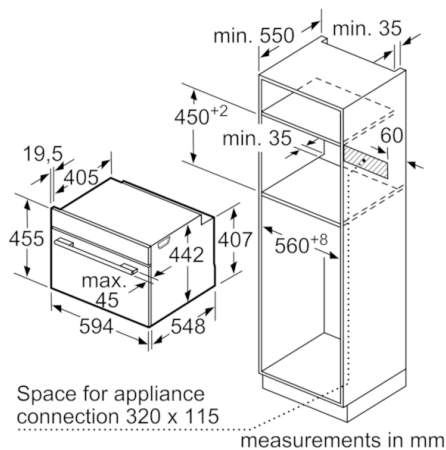
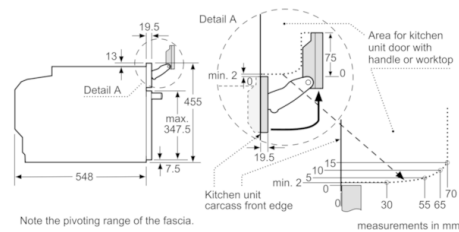
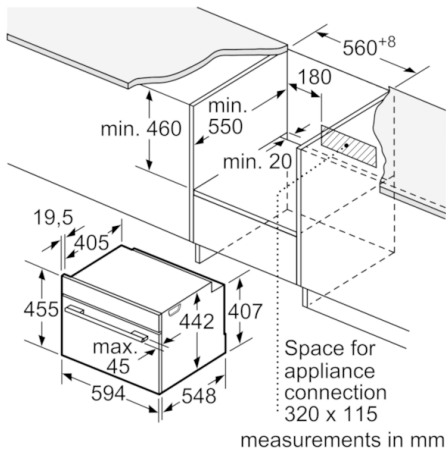
Technical Info

- Appliance dimensions (HxWxD): 455 mm x 594 mm x 548 mm
- Installation dimensions (HxWxD): 450 mm - 455 mm x 560 mm - 568 mm x 550 mm
- Total connected load electric: 3.3 KW
- Length of mains cable: 150 cm

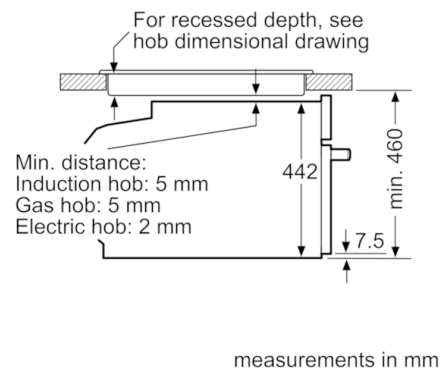
Serie | 8 Steam Ovens

CSG656RS2A

Compact steam oven



Installation with a hob.



If the compact appliance will be installed underneath a hob, the following worktop thicknesses (including substructure if necessary) must be taken into account.

Hob type	min. worktop thickness	
	fitted	flush
Induction hob	42 mm	43 mm
Full surface Induction hob	52 mm	53 mm
Gas hob	32 mm	43 mm
Electric hob	32 mm	35 mm