

**8kg Condenser Dryer, Ultimate Care with 2 Stars Energy efficiency, Advanced sensor dry, Reversetumbling action and Refresh cycle**  
RRP AUS \$1,199.00



## Product Details

### FEATURES

---

Advanced Sensor Dry

Reversing tumble action

Special programs for easy iron

Easy to install condenser drying system

---

Drain kit included  
Drains excess water so you don't need to empty the water tank manually

---

### BENEFITS

---

**Advanced Sensor Dry**  
Your clothes will be dried perfectly with Advanced Sensor Dry. Humidity sensors are activated throughout each cycle to eliminate over drying, which can be harmful to fabrics. So, you enjoy optimal drying accuracy, along with exceptional care and performance.

**Large Reversible Door**  
Everyones laundry is different. Thats why we designed a large reversible door to accommodate those tight spaces and side-by-side installations. You can easily change the direction of the door opening yourself to suit your requirements. Plus, the large door size also allows you to load and unload your dryer with ease.

---

**Soft Touch Drum**  
With its raised circular texture, the Soft Touch Drum creates a gentle environment for delicate clothing by minimising prolonged contact clothing makes with the drum.

**Refresh Cycle**  
The refresh cycle uses cool and hot air to refresh clothes that may have been in storage.

---

## Specifications

### PRODUCT PROFILE

---

Domestic warranty details (yrs)	2
---------------------------------	---

---

Dryer Type	Condenser
------------	-----------

---

Capacity (Kg)	8
---------------	---

---

Wall mount option	no
-------------------	----

---

### ENERGY

---

Energy Star Rating	2
--------------------	---

---

Energy consumption (KWhr/yr)	358
------------------------------	-----

---

### BUTTON FUNCTIONS

---

Functions	Refresh,auto sensing,auto cool down,child lock,reverse tumbling drum action,End Alert
-----------	---

---

### DIMENSIONS

---

Total height (mm)	850
-------------------	-----

---

Total width (mm)	600
------------------	-----

---

Total depth (mm)	665
------------------	-----

---

### CONTROLS

---

Type of controls	rotary,Touch button
------------------	---------------------

---

Options available	delay start,auto sensing,Extra Anticrease,End Alert,Gentle Dry,Dryness Level,Time Dry
-------------------	---

---

Type of display	LED
-----------------	-----

---

### DRYING PROGRAMS

---

Drying Programs	cotton,synthetic,delicate,mixed load,sports,wool,Favourite,Energy Saver,Denim,Shirts,Easy Iron
-----------------	--

---

**DRUM**

---

Spin tub material	stainless steel
-------------------	-----------------

---

**DOOR**

---

Type	See through door
------	------------------

---

Dryer Door colour	silver
-------------------	--------

---

Door diameter	340
---------------	-----

---

Door safety	door safety switch
-------------	--------------------

---

**CABINET**

---

Cabinet Colour	white
----------------	-------

---

Cabinet material	painted galvanized steel
------------------	--------------------------

---

**TECHNICAL**

---

Service cord length	1450
---------------------	------

---

Dryer Lint filter position	front pocket
----------------------------	--------------

---

Buzzer	end of cycle
--------	--------------

---

Dryer Element watts	2000
---------------------	------

---

**SHIPPING**

---

Shipping Volume (m3)	40.9
----------------------	------

---

Shipping Weight (Kg)	46
----------------------	----

---

Pack Dimensions Height (mm)	900
-----------------------------	-----

---

Pack Dimension Width (mm)	640
---------------------------	-----

---

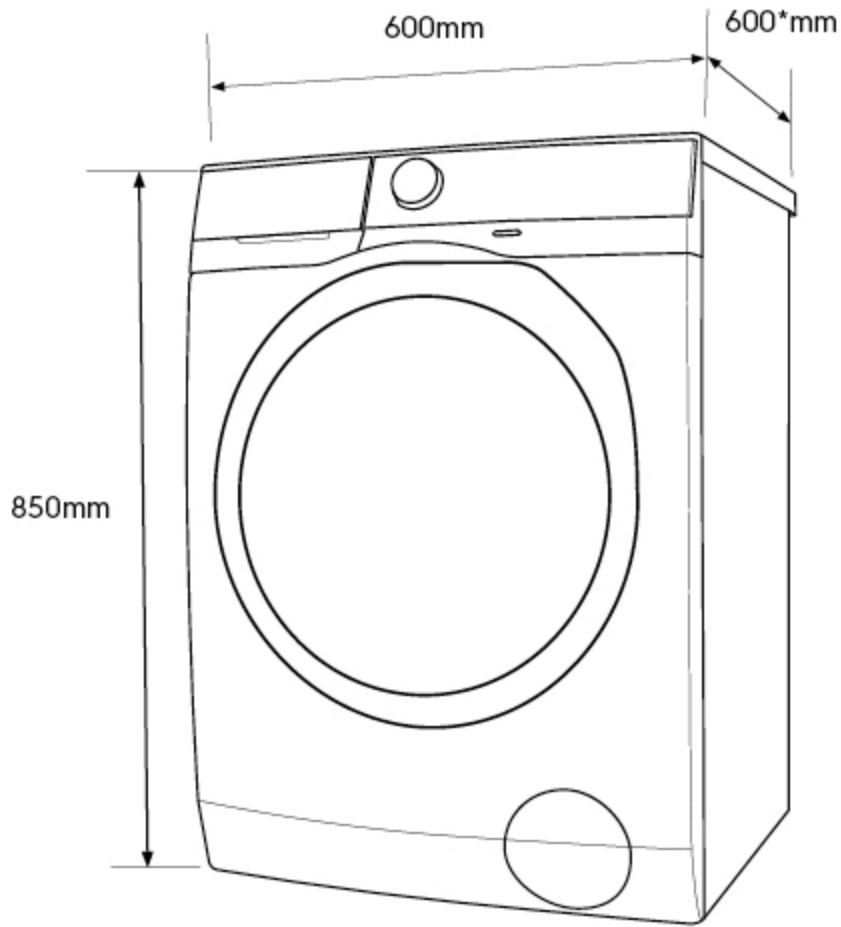
**SHIPPING**

---

Pack Dimension Depth (mm)	710
------------------------------	-----

---

## Dimensions



**IMPORTANT**

This is a guide of product dimensions only. For complete installation instructions, refer to the manual provided with product.

© 2019 Electrolux Home Products Pty Ltd. EDIM\_HP\_CON\_Dryer\_Jan19

## Terms and Conditions

### IMPORTANT

This is a guide of product dimensions only. For complete installation instructions, refer to the manual provided with product.

### PRODUCT INFORMATION

The descriptors and illustrations in this publication apply to the specific products and models described as at the date of issue. Under our policy of continuous product development, product specifications may change without notice. Prospective purchasers should therefore check with their retailer to ensure this publication correctly describes the products that are being offered for sale. All information supplied is to be used for general reference purposes only and is on the understanding that Electrolux Home Products Pty Ltd (Australia) and Electrolux (NZ) Ltd (New Zealand) will not be liable for any loss, liability or damage of whatever kind arising as a result of reliance on such information. Colours of products illustrated are as close as printing limitations allow. Electrolux will at all times comply with its obligations pursuant to law including Trade Practices (Australian Consumer Law) Act and Regulations.

### WARRANTY

This warranty only applies to Appliances purchased and used in Australia or New Zealand and used in normal domestic applications and is in addition to (and does not exclude, restrict, or modify in any way) any non-excludable statutory warranties in Australia or New Zealand. All warranties are subject to the conditions set out in the warranty card accompanying the product when purchased.

#### ELECTROLUX HOME PRODUCTS AUSTRALIA

telephone: 1300 363 640

fax: 1800 350 067

email: [customercare@electrolux.com.au](mailto:customercare@electrolux.com.au)

web: [www.electrolux.com.au](http://www.electrolux.com.au)

#### ELECTROLUX HOME PRODUCTS NEW ZEALAND

telephone: 09 573 2230

fax: 09 573 2221

email: [customercare@electrolux.co.nz](mailto:customercare@electrolux.co.nz)

web: [www.electrolux.co.nz](http://www.electrolux.co.nz)