

**Serie | 8, heat pump tumble dryer, 9 kg
WTW87564AU**



Optional accessories

WMZ20600 : Wool in basket - accessory
WTZ11400 : Stacking kit with pull-out shelf
WTZ20410 : Stacking kit

Energy efficient premium dryer with a 8 Star energy rating : enjoy excellent consumption values – for the life of the dryer.

- **SelfCleaning Condenser:** keep the condenser free of fluff to maintain energy efficiency.
- **AutoDry:** automatically dries to the exact degree of dryness you'd like.
- **AntiVibration Design:** extremely stable and especially quiet
- **SensitiveDrying System:** for gentle drying without wrinkles.
- ActiveAir Technology reuses existing heat efficiently during the entire drying process.

Technical Data

Built-in / Free-standing : Freestanding
Removable top : No
Door hinge : Right
Length electrical supply cord : 145.0 cm
Height of removable worktop : 0 mm
Dimensions of the product : 842 x 598 x 613 mm
Net weight : 53.379 kg
Fluorinated greenhouse gases : No
Type of refrigerant : R290
Hermetically sealed equipment : Yes
Quantity of fluorinated gases : 0.149 kg
The quantity expressed in CO2 equivalent : 0.000 t
EAN code : 4242005154005
Connection Rating : 1000 W
Fuse protection : 10 A
Voltage : 220-240 V
Frequency : 50 Hz
Approval certificates : CE, VDE
Capacity cotton - NEW (2010/30/EC) : 9.0 kg
Energy efficiency rating : A++



Serie | 8, heat pump tumble dryer, 9 kg WTW87564AU

Energy efficient premium dryer with a 8 Star energy rating : enjoy excellent consumption values – for the life of the dryer.

Capacity

- Capacity: 9 kg

Consumption rates

- 8 Star energy rating
- 152 kWh energy consumption per year, based on the Cottons program with drying options Cupboard Dry+ and Drying Level 2, used once per week

Programs

- Special drying programs:
 - Cottons: hard-wearing items made from cotton or linen with four desired dryless level options: Cupboard Extra Dry / Cupboard Dry / Iron Dry / Eco
 - Easy Care: items made from synthetic or blended fabrics with three desired dryless level options: Cupboard Extra Dry / Cupboard Dry / Iron Dry
 - Cottons: hard-wearing items made from cotton or linen
 - Shirts/Blouses: designed to allow immediate ironing or hanging up shirts/blouses after the program completes
 - Delicates: items made from satin, synthetic or blended fabrics
 - Towels: hard wearing towels and dressing gowns made of cotton
 - Mixed: items made from cotton or blended fabrics
 - Super 40': short program for synthetic fabrics and light cottons
 - Sportswear: sports and leisure items made from synthetic fibres, microfibre or fleece
 - Quilts: clothing, pillows, quilts or bedspreads filled with synthetic fibres
 - Easy Care: items made from synthetic or blended fabrics
 - Wool: Machine washable items made of wool
 - Timed Program Cold: manually set a custom time for loosening up or airing clothing that has hardly been worn
 - Timed Program Warm: manually set a custom time for drying slightly damp or multi layered thick items
 - Down Wear: clothing, bedspreads or eiderdowns stuffed with down
 - AllergyPlus/Hygienic: high temperature program for hard wearing items that need to be hygienically clean
- Touch control option settings:
 - Easy Iron 120': the drum moves the laundry at regular intervals for 120 minutes after drying to prevent creasing
 - Easy Iron 60': the drum moves the laundry at regular intervals for 60 minutes after drying to prevent creasing
 - Child safety lock: prevent children from tampering with the program settings and turning on the appliance
 - Drying Target: set the desired dryness level: Cupboard Dry for regular items. Cupboard Dry Plus for thicker garments.

Iron Dry for items that still need a to be a little damp after drying for ironing or hanging up

- Drying Level: if you feel that the laundry is too damp when the drying program has ended you can adjust the drying level for future uses of the program to make the program run longer
- Low Heat: reduce the drying temperature for delicate fabrics
- Finished in (delayed start): you can delay the start of the program by up to 24 hours
- End Signal: activate or deactivate the audible signal at the end of the program

Performance

- ActiveAir heat pump technology, existing heat is reused efficiently during the entire drying process
- SelfCleaning Condenser: the condenser automatically cleans itself and does not require any manual cleaning. This also helps to ensure the dryer performs economically with optimal energy efficiency
- Sensitive drying system: textile friendly drum design and SoftFlow paddles ensure soft, fluffy laundry and helps to reduce creasing

Design

- AntiVibration Side Panels reduce vibrations and noise levels, making it extremely quiet during the spin cycle
- LED display for remaining time, 24hr time delay, program status indication, and special drying functions
- Large water condensation container: If there is no drain hose connected to the appliance the condensation water from the drying cycle will be stored in the condensation container
- Glass door with 170 ° opening angle

Convenience

- Time delay to select end of time of your wash (1-24 hours) and time remaining indicator
- Illuminated control dial with integrated power On/Off button
- LED interior drum light bathes the inside of the drum in a brilliant white light when opened
- Sensor drying, monitors the temperature and moisture content to ensure garments are dried to the desired setting

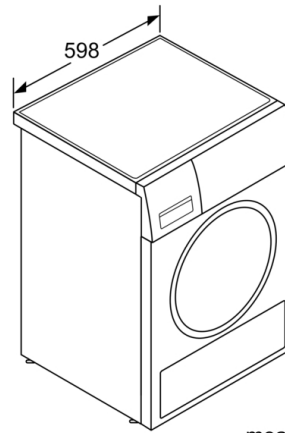
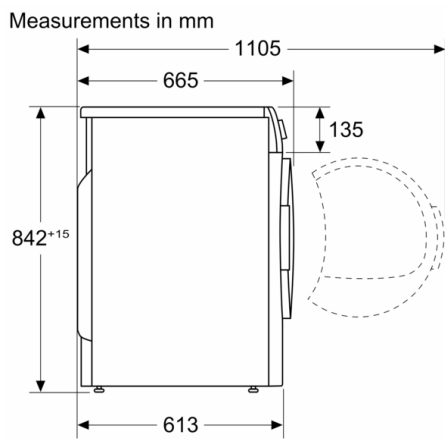
Safety

- Child safety control lock

Technical Information

- Dimensions (H x W x D): 84.2 cm x 59.8 cm x 61.3 cm (66.5 cm including door handle)

Serie | 8, heat pump tumble dryer, 9 kg
WTW87564AU



measurements in mm