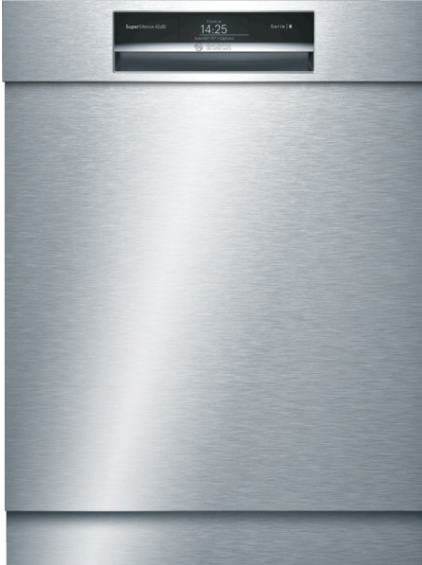


**Serie | 8, Built-under dishwasher, 60 cm, Stainless steel
SMU88TS02A**



Optional accessories

SGZ1010 : inlet and outlet hose extention
 SMZ5100 : Vario-cutlery basket
 SMZ5150AU : toe kick panel stainless steel
 SMZ5300 : GlassSecure Tray

ActiveWater Dishwasher: 15 place setting capacity, full colour TFT display, EmotionLight interior lighting, ultimate flexibility, with brilliant cleaning and drying results.

- **4 star energy & 5 star water rating:** High energy efficiency and low water consumption.
- **SuperSilence:** Extremely low operating noise at only 42 dB(A), or just 40 dB(A) when using the ExtraQuiet program.
- **MachineCare:** Maintains the wash quality and reliability of your dishwasher throughout its lifetime, with indication reminder.
- **VarioDrawer™ Pro:** Third loading level for cutlery & utensils: Provides extra loading flexibility and convenience for cutlery, cups, and large utensils.
- **Glass Wash System:** The Glass Wash program, ExtraDry option, and GlassSecure Tray allows optimum cleaning results with high protection especially for delicate long stemmed glasses.

Technical Data

Water consumption (l) :	12.0
Built-in / Free-standing :	Built-in
Height of removable worktop (mm) :	0
Required niche size for installation (HxWxD) :	815-875 x 600 x 550
Depth with open door 90 degree (mm) :	1150
Adjustable feet :	Yes - front only
Maximum adjustability feet (mm) :	60
Net weight (kg) :	44.412
Gross weight (kg) :	47.0
Connection Rating (W) :	2400
Current (A) :	10
Voltage (V) :	220-240
Frequency (Hz) :	50; 60
Length electrical supply cord (cm) :	175
Plug type :	AU plug
Length inlet hose (cm) :	165
Length outlet hose (cm) :	190
EAN code :	4242002994123
Number of place settings :	15
Energy consumption (kWh) :	0.64
Reference programme :	Eco
Total cycle time of reference programme (min) :	170
Noise level (dB) :	42
Installation typology :	Built-under



Serie | 8, Built-under dishwasher, 60 cm, Stainless steel SMU88TS02A

ActiveWater Dishwasher: 15 place setting capacity, full colour TFT display, EmotionLight interior lighting, ultimate flexibility, with brilliant cleaning and drying results.

Capacity

- 15 international place settings

Consumption rates

- 4 Star energy rating, 5 Star WELS water rating
- 12 litres water consumption per wash and 235kWh energy consumption per year, based on Eco 45°C program

Design

- Under bench Dishwasher - 60 cm wide
- Stainless steel finish
- Stainless steel interior tub
- Effortless door closing: The door self-closes when below a 20° angle.
- SoftTouch buttons: Electronic soft-touch activated buttons.
- Hidden control buttons integrated into the top of the door

Wash Programs and Options

- 8 programs:
 - Auto Intensive: Pots & Pans. Baked-on food & grease, 65-75°C.
 - Auto Gentle: Delicate items. Lightly soiled dishes, 35-45°C.
 - Auto Wash: Automatic wash & dry. Mixed loads & soil levels, 45-65°C.
 - Eco Wash: Energy efficient wash & dry. Mixed loads & soil levels, 45°C.
 - ExtraQuiet 40dB: Extended quiet wash & dry. Mixed loads & soil levels, 50°C.
 - Glass Wash: Sensitive glassware, crystal, & fine china, 40°C.
 - Quick Wash, 60 minutes: Quick wash and dry within 60 minutes. Mixed loads & soil levels, 65 °C.
 - Quick Wash, 29 minutes (with use of rinse aid): Express wash only. Lightly soiled dishes, 45 °C.
- 6 wash options:
 - Machine Care: Helps remove grime and limescale buildup for optimum performance.
 - SpeedPerfect: Up to 50% faster wash time.
 - Half Load: For half loads (up to 7 place settings), reduces energy, water & time.
 - Intensive Zone: Powerful cleaning in the bottom basket.
 - HygienePlus: Removes bacteria from utensils & crockery.
 - Extra Dry: Provides an even better drying result.

Performance

- ActiveWater™: Automatic load adjustment recognises the load condition in three steps and ensures that only the amount of electricity and water required for that load is used
- DosageAssist™: Maximises the effectiveness of detergent tablets. The tablet is dropped into a specially engineered tray and is completely dissolved. For superior cleaning performance and a quieter wash.
- EcoSilence Drive® quiet and energy-efficient brushless motor (BLDC)
 - BLDC Main Pump: Variable water & spray pressure to achieve optimum cleaning results
 - BLDC Drain Pump: Fast and extra quiet draining of water, no gargling sounds
- AquaSensor™ technology: Regulates the water usage depending on the type and degree of soiling
- LoadSensor technology: Provides for optimal water usage even for half loads or partial loads, saving water and electricity
- AutoBrilliance™: Automatic detergent and rinse aid sensor
- Heat Exchanger: Hygienic fully enclosed drying system – does not draw contaminated air (dust & allergens) from the dishwasher exterior. Reduces temperature shock, water & energy use.
- 3 stage self-cleaning filter system
- Alternating spray-arm washing
- 5 Spray levels

Flexibility

- VarioDrawer™ Pro: Third loading level for cutlery & utensils
- VarioFlex™ Pro basket system with red coloured touchpoints
- 6 foldable plate racks in top basket
- 8 foldable plate racks in bottom basket
- 2 foldable cup shelves in top basket
- 2 foldable cup shelves in bottom basket
- RackmaticPlus™: 3-stage top basket can be adjusted to three height levels to maximise convenience
- Glass rack in lower basket for tall stemmed glasses

Included Accessories

- Moveable cutlery basket in lower basket
- GlassSecure Tray: Securely holds 4 long stemmed wine glasses
- Large item spray head: For washing extra large items such as baking trays and rangehood filters
- Vapour barrier protection plate
- Stainless steel toe kick panel included

Convenience

- SuperSilence: Operates at low noise level of 42 dB(A)
- EmotionLight: Internal lighting for increased visibility
- TFT Display in full colour on front panel
- TFT Display in full colour on inner door
- Audible program end
- Real time clock actual time display
- Time delay start: Delay program start time by 1-24 hours to suit your schedule
- Electronic rinse aid indicator
- Last program used memory function

Safety

- AquaStop™ Plus: Water supply device with lifetime anti-flood protection
- Child door lock

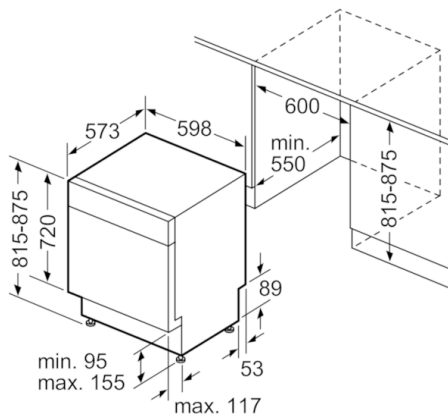
2 year warranty

- 10 year rust-through warranty for the inner tub

Dimensions

- 815-875 mm x 598 mm x 573 mm

**Serie | 8, Built-under dishwasher, 60 cm,
Stainless steel
SMU88TS02A**



measurements in mm