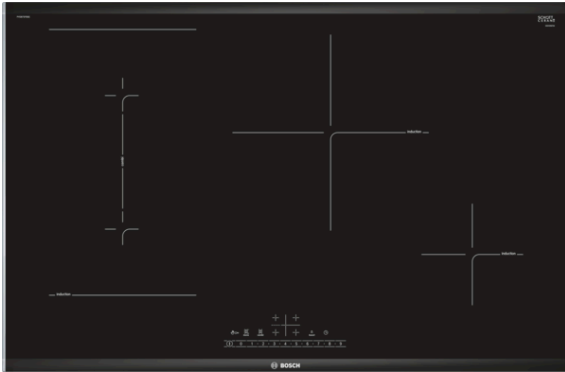


**Serie | 6, Induction cooktop, 80 cm,
PVS875FB5E**



Optional accessories

HEZ390090 : Wok Set consisting of 3 Items

The induction cooktop: cook fast, clean and safely while using very little energy.

- **DirectSelect:** Direct, simple selection of the desired cooking zone, power and additional functions.
- **ComfortProfile:** Elegant, appealing design with bevelled front and sleek stainless steel strips on the side.
- **Timer with switch-off function:** Conveniently turns off the assigned cooking zone after the set time.
- **PowerBoost:** Up to 50% more power for faster heating.

Technical Data

| | |
|---|------------------------|
| Product name/family : | Cooking zone ceramic |
| Construction type : | Built-in |
| Energy input : | Electric |
| Total number of positions that can be used at the same time : | 4 |
| Required niche size for installation (HxWxD) : | 51 x 750-780 x 490-500 |
| Width of the product (mm) : | 816 |
| Dimensions of the product (mm) : | 51 x 816 x 527 |
| Dimensions of the packed product (HxWxD) (mm) : | 126 x 953 x 608 |
| Net weight (kg) : | 14.943 |
| Gross weight (kg) : | 16.0 |
| Residual heat indicator : | Separate |
| Location of control panel : | Hob front |
| Basic surface material : | Ceramic |
| Color of surface : | Alu, brushed, Black |
| Color of frame : | Alu, brushed |
| Approval certificates : | AENOR, CE |
| Length electrical supply cord (cm) : | 110 |
| EAN code : | 4242005098392 |
| Electrical connection rating (W) : | 7400 |
| Voltage (V) : | 220-240 |
| Frequency (Hz) : | 50; 60 |



Serie | 6, Induction cooktop, 80 cm, PVS875FB5E

The induction cooktop: cook fast, clean and safely while using very little energy.

Design

- Stainless steel side profiles with beveled front
- 4 induction cooking zones
- Direct Select 1.0 Touch Control

Size & Power

- 17 power levels for each cooking zone
- Cooking zone front left:
 - 210 mm, 400 mm
 - 2.2 KW / 3.7 KW with Power boost
- Cooking zone rear left:
 - 400 mm, 210 mm
 - 2.2 kW / 3.7 KW with powerBoost
- Cooking zone front right:
 - 145 mm
 - 1.4 KW / 2.2 KW with powerBoost
- Cooking zone rear right:
 - 280 mm
 - 2.6 KW / 3.7 KW with powerBoost

Comfort & Convenience

- Timer with automatic switch off for all zones
- PowerBoost function - reduce the time to heat up large quantities of water
- Move Mode - 2 Automatic Power Levels
- QuickStart - Quick and automatic first pot detection
- ReStart - Quickly reinstates previous settings
-
- Energy consumption display

Safety and Environment

- Digital 2-stage residual heat indicator for each cooking zone
- Childproof lock
- Automatic safety switch-off
- Integrated cooling fan

2 year warranty

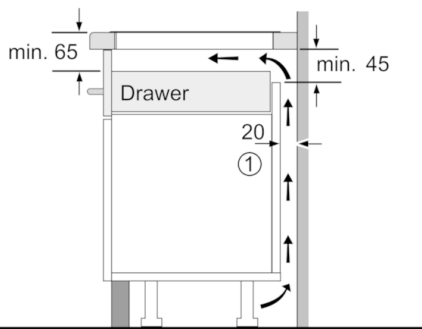
Dimensions (WxD)

- Appliance dimensions: (W x D) 816 mm x 527 mm
- Installation dimensions: (H x W x D) 51 mm x 750 mm x 490 mm

Technical Information

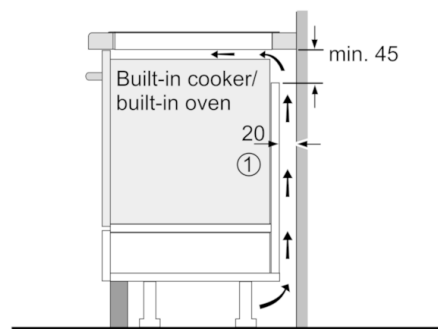
- 7.4 kW total connected load
- Min. worktop thickness: 30 mm

**Serie | 6, Induction cooktop, 80 cm,
PVS875FB5E**



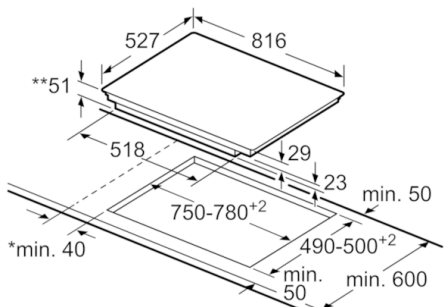
① Ventilation gap must be present.

Measurements in mm



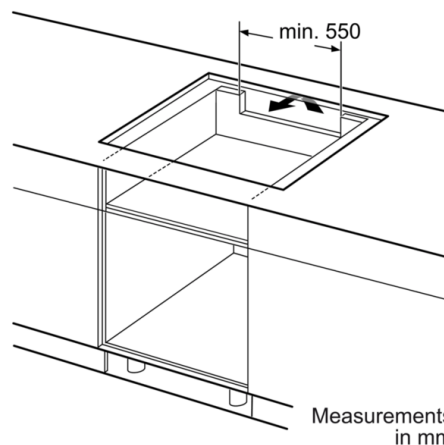
① Ventilation gap must be present

All measurements in mm



* Minimum distance from the hob cut-out to the wall
 ** Recessed depth
 *** With fitted oven underneath min. 30, possibly more; see space requirements for the oven

measurements in mm



Measurements in mm