

**Serie | 4, Freestanding dual fuel
cooker, Stainless steel
HXR39KI50A**



**The electric Range Cooker with up to 7
heating modes and gas cooktop: lets you
cook like a professional.**

- **Wok burner:** powerful cooking at up to 13.5 Mj/h.
- **3D Hotair Plus:** perfect results thanks to optimal distribution of heat on up to 3 levels simultaneously.
- Electronic clock/timer with LED display
- **Red LED display control:** easy-to-use thanks to the time functions.

Technical Data

Built-in / Free-standing :	Free-standing
Dimensions of the product (mm) :	850 x 600 x 600
Length electrical supply cord (cm) :	120
Net weight (kg) :	59.558
Gross weight (kg) :	64.0
EAN code :	4242005044788
Number of cavities (2010/30/EC) :	1
Usable volume (of cavity) - NEW (2010/30/EC) :	66
Energy efficiency class (2010/30/EC) :	A
Energy consumption per cycle conventional (2010/30/EC) :	0.98
Energy consumption per cycle forced air convection (2010/30/EC) :	0.79
Energy efficiency index (2010/30/EC) :	95.2
Connection Rating (W) :	3300
Current (A) :	16
Voltage (V) :	220-240
Frequency (Hz) :	50-60
Plug type :	no plug

Included accessories

- 1 x enamel baking tray
- 1 x grill tray
- 2 x grid
- 1 x universal pan
- 1 x WOK attachment ring

Optional accessories

- HEZ327000 : Pizza stone
- HEZ625071 : Grill tray, anthracite enamelled

Serie | 4, Freestanding dual fuel cooker, Stainless steel HXR39KI50A

The electric Range Cooker with up to 7 heating modes and gas cooktop: lets you cook like a professional.

COOKTOP

- Stainless steel gas cooktop

Design

- 1 High-speed, 2 Standard, 1 Economy, 1 Wok burner
- 4 burners: 2 standard, 1 economy, 1 wok burner

Size & Power

- Rear left: Standard burner 6.5 Mj/h
- Front left: Wok burner 13.5 Mj/h
- Rear right: Standard burner 6.5 Mj/h
- Front right: Economy burner 4 Mj/h

Comfort & Convenience

- One-hand electronic ignition via controls
- Enamelled cast-iron trivets with rubber feet

Safety and Environment

- Flame failure device fitted to each individual burner

OVEN

Size & Power

- Extra large capacity oven (66 l) with grey enamel
- Multi-function oven with 7 heating methods:
 - Bottom heating
 - Grill - large area
 - Hot air grilling
 - Pizza setting
 - Top/bottom heating
 - Hotair gentle
 - 3D Hotair
- Rapid heating up

Cleaning

- Catalytic side, back and roof liners
- Full glass inner door

Comfort & Convenience

- Electronic clock/timer with LED display
- LED-display control (red)
- Oven door with SoftClose , Drop down door
- Number of oven lights: 1 PC
- Halogen lighting
- Cavity with shelf support rails, 2 level telescopic shelf rails, partially extendable
- 21cm utensil drawer (one rail)
- Height adjustable legs by 50 mm

Safety and Environment

- Triple-glazed door
- Child lock function

2 year warranty

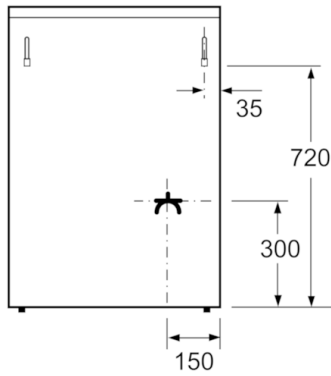
Accessories

- 1 x enamel baking tray, 1 x grill tray, 2 x grid, 1 x universal pan, 1 x WOK attachment ring

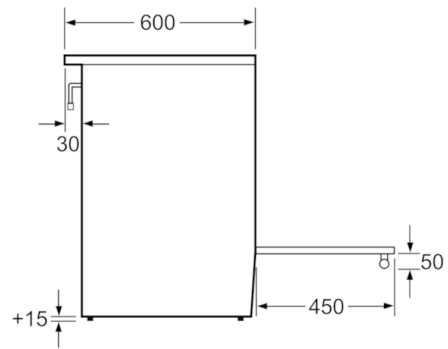
Technical Info

- Appliance dimensions (HxWxD): 850 mm x 600 mm x 600 mm
- Total connected load electric: 3.3 KW
- Length of mains cable: 120 cm
- Suitable for natural gas and LPG

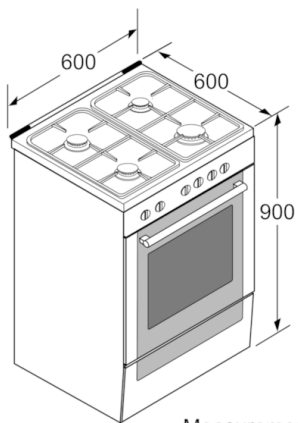
**Serie | 4, Freestanding dual fuel cooker,
Stainless steel
HXR39KI50A**



Measurements in mm

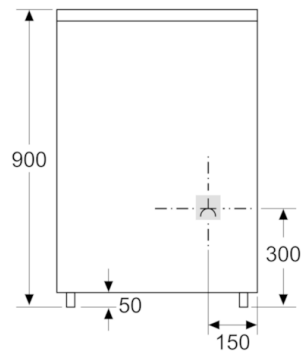


Measurements in mm



Measurements in mm

measurements in mm



Socket