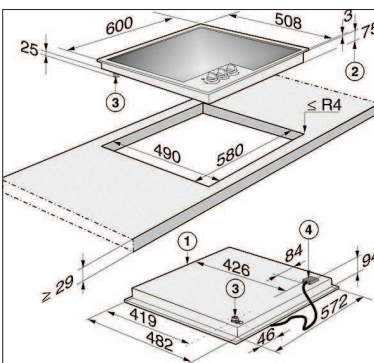


Gas cooktop KM 2312



Gas cooktop with a mono wok burner for special applications.

- Simple controls -single-handed operation via dial controls
- Professional design - 600 mm wide stainless steel trough
- Particularly versatile - 3 burners incl. 1 mono wok
- Extremely safe - GasStop function
- Very high-quality - enamelled cast-iron pot rests



KM 2312 (installation drawings) AUS

1. Front
2. Building-in depth
3. Gas connection R 1/2 - ISO 7-1 (DIN EN 10226)
4. Mains connection box with mains connection cable L 2000 mm

Heating type	
Heating type	Gas
Construction type	
Independent of oven	•
Design	
Stainless steel trough	•
Cast iron pot rest (matt black enamelled)	•
Ring details	
No. of rings	3
Ring	
Position	left centre
Type	Single wok burner
Diameter in mm	Ø 150-260
Power rating in W	4.000
Ring	
Position	rear right
Type	High-speed burner
Diameter in mm	Ø 120-240
Power rating in W	2.700
Ring	
Position	front right
Type	Economy burner
Diameter in mm	100-220
Power rating in W	1.000
User convenience	
Operation via knobs	•
Electronic ignition with one-handed operation	•
Cleaning convenience	
Dishwasher-proof pot rests	•
Safety	
GasStop	•
Technical data	
Dimensions in mm (width)	600
Dimensions in mm (height)	75
Dimensions in mm (depth)	508
Cutout dimensions in mm (width)	560
Cutout dimensions in mm (depth)	490
Weight in kg	13
Total connected load in kW	7,5
Voltage in V	230
Fuse rating in A	10
Number of phases	1
Cable length in m	2,0
Standard accessories	
Connection cable	•
Jet set for liquid gas	•