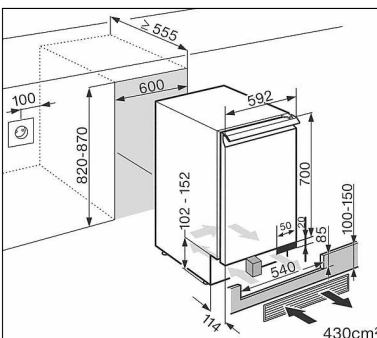


Built-under wine conditioning unit KWT 6321 UG



Built-under wine conditioning unit Active charcoal filter and DynamicCooling allow best storage cond. in 2 zones.

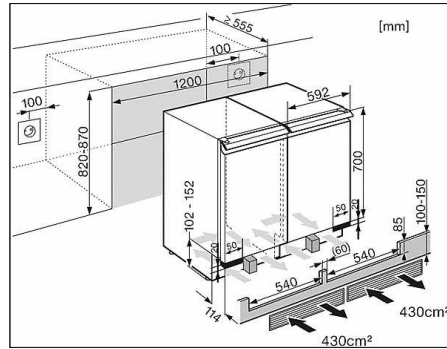
- Best storage conditions thanks to precise temperature regulation
- Odourless refrigeration section thanks to Active AirClean filters
- Put the storage of your wine in the perfect light - LED lighting
- Optimum wine protection through UV filters in tinted glass front
- Secure storage of wine bottles with pull-out racks



KWT 6321 UG

Appliance category	
Wine conditioning unit	•
Construction type	
Built-in	•
Built-in built-under	•
Door hinge side	right
Convertible hinging	•
Design	
Front colour	Tinted glass door/strip handle
Lighting fridge/fridge compartment	•
Type of lighting	LED
User convenience	
DynaCool	•
Active AirClean filter and change indicator	•
No. of wooden shelves	3
Control	
Electronic temperature display and control	ComfortControl
No. of temperature zones	2
Safety	
Lock function	•
Audible door alarm	•
Audible temperature alarm	•
Technical data	
Niche width in mm	600
Niche height in mm	820-870
Niche depth in mm	570
Appliance width in mm	597
Appliance height in mm	818
Appliance depth in mm	575
Climatic classification	SN-ST
Wine conditioning zone volume in l	94
No. of 0,75 l Bordeaux bottles that can be stored	34 bottles
Current consumption in milliampere (mA)	800
Voltage in V	220-240
Fuse rating in A	10
Number of phases	1
Cable length in m	2,4

Built-under wine conditioning unit KWT 6321 UG



KWT6321UG, Side by Side