

Slimline rangehood DA 3366

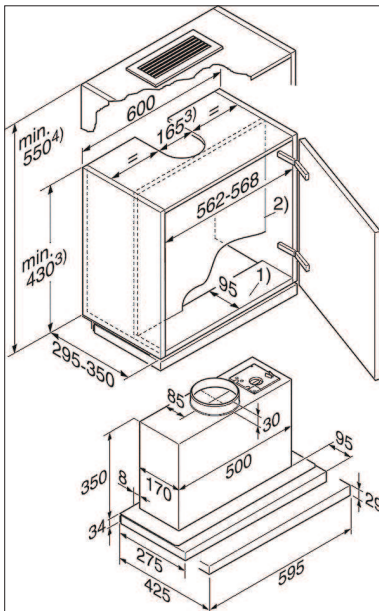


Slimline rangehood with energy-efficient LED lighting and sliding switch for simple operation.

- Elegant design - slim 60 cm pull-out canopy
- Powerful - 430 m³/h in the 'Intensive' setting
- Efficient filtration- 10 layer stainless steel grease filter
- Safe and easy to clean - Miele CleanCover
- Suitable for every home - w. extraction or recirculation function

Construction type	
Slimline cooker hood	•
Design	
Colour	Stainless steel
Operating modes	
Type of air guide	Convertible
User convenience	
Mechanical controls	•
Slide switch	•
Power levels (number excl. Intensive)	3
Intensive setting	•
Cleaning convenience	
Easy-to-clean CleanCover hood liner	•
Filter system	
Dishwasher-proof stainless steel grease filters	1
Lighting	
LED	•
Number x W	2 x 3 W
Colour temperature in K	3.000
Light intensity in Lx	320
Fan	
Dual-action fan	•
AC motor	•
Air throughput with max. duct diameter in vented mode (not for external version)	
Air throughput in setting 1 (m ³ /h) according to EN 61591	150
Air throughput in setting 3 (m ³ /h) according to EN 61591	320
Air throughput in setting 2 (m ³ /h) according to EN 61591	240
Air throughput in Intensive setting (m ³ /h) according to EN 61591	430
Noise power level in setting 1 (dB(A) re 1 pW) according to EN 60704-3	44
Noise power level in setting 2 (dB(A) re 1 pW) according to EN 60704-3	47
Noise power level in setting 3 (dB(A) re 1 pW) according to EN 60704-3	51
Noise power level in Intensive setting (dB(A) re 1 pW) according to EN 60704-3	58
Noise pressure level in setting 1 (dB(A) re 20 µPa) according to EN 60704-2-13	32
Noise pressure level in setting 2 (dB(A) re 20 µPa) according to EN 60704-2-13	35
Noise pressure level in setting 3 (dB(A) re 20 µPa) according to EN 60704-2-13	38
Noise pressure level in Intensive setting (dB(A) re 20 µPa) according to EN 60704-2-13	45

Slimline rangehood DA 3366



DA 3360, DA 3366 (Installation drawing) - VG AUS

1. A shelf must be fitted in the front of the wall unit to the depth of the partition wall.

If the cooker hood is fitted further back, e.g. to accommodate a front panel, the shelf will need to be deeper.

2. The partition wall in the wall unit must be removable.

3. Extraction mode: when measuring for height of the wall unit and the cut-out, account must be taken of any accessories fitted, e.g. a silencer.

4. Recirculation mode: with conversion kit DDU 151

Air throughput in recirculation mode

Air throughput in setting 1 (m ³ /h) according to EN 61591	80
Air throughput in setting 2 (m ³ /h) according to EN 61591	150
Air throughput in setting 3 (m ³ /h) according to EN 61591	200
Air throughput in Intensive setting (m ³ /h) according to EN 61591	300
Noise power level in setting 1 (dB(A) re 1 pW) according to EN 60704-3	52
Noise power level in setting 2 (dB(A) re 1 pW) according to EN 60704-3	58
Noise power level in setting 3 (dB(A) re 1 pW) according to EN 60704-3	61
Noise power level in Intensive setting (dB(A) re 1 pW) according to EN 60704-3	67
Noise pressure level in setting 1 (dB(A) re 20 µPa) according to EN 60704-2-13	40
Noise pressure level in setting 2 (dB(A) re 20 µPa) according to EN 60704-2-13	45
Noise pressure level in setting 3 (dB(A) re 20 µPa) according to EN 60704-2-13	49
Noise pressure level in Intensive setting (dB(A) re 20 µPa) according to EN 60704-2-13	55

Technical data

Canopy width in mm	595
Height of hood carcass in mm	34
Depth of hood carcass in mm	275
Minimum distance above electric hobs in mm	450
Minimum height above gas hob (max. 12.6 kW total power, burner ? 4.5 kW) in mm	650
Net weight in kg	12,0
Length of electrical cable in m	1,5
Standard plug fitted	•
Total connected load in kW	0,12
Voltage in V	230
Fuse rating in A	10
Number of phases	1

Installation notes

Vent connection at top	•
Diameter of vent connection in mm	150

Accessories supplied

Non-return flap	•
-----------------	---