



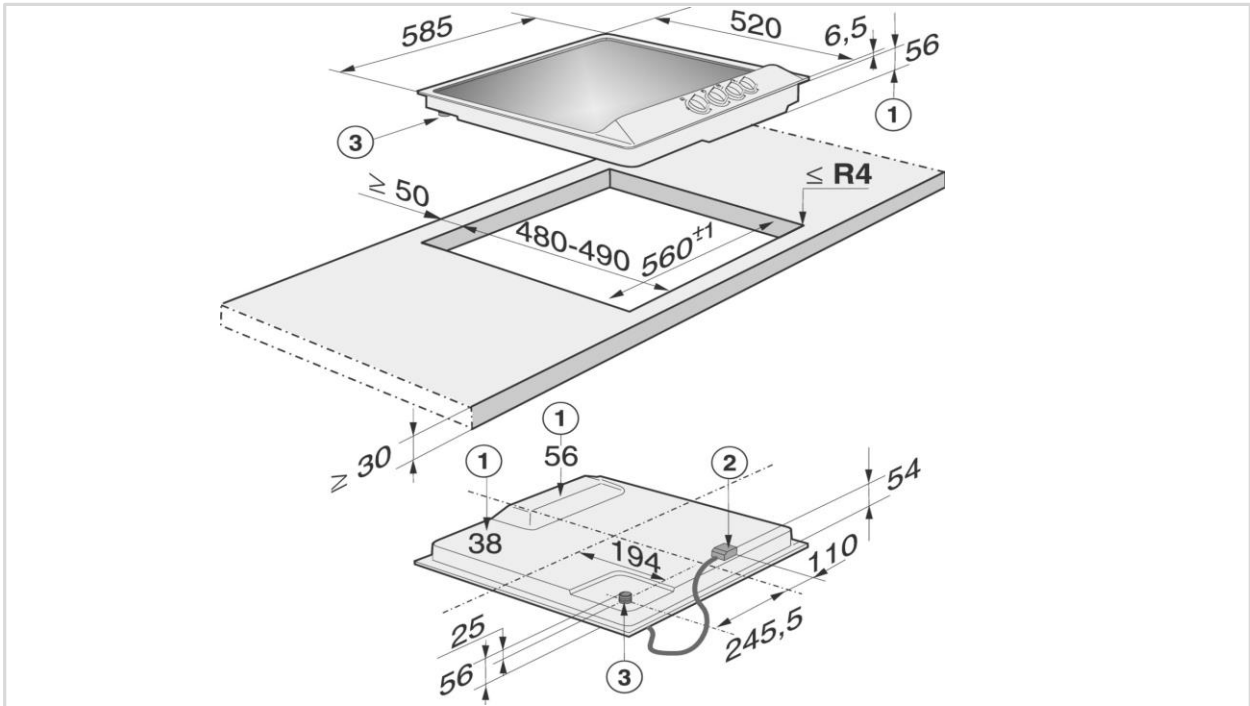
KM 362-1

## Stainless steel gas cooktop

58.5 cm wide stainless steel gas cooktop

- Easy to use – QuickStart with single-handed ignition
- Professional design – 58.5 cm wide stainless steel trough with raised front edged and embossed Miele logo
- Flexible use – four burner incl. wok
- Extremely safe – GasStop automatically cuts off supply in case of flame failure
- High-end appeal – full surface enamelled pot rests

<b>Dimensions</b>		<b>Min.-Max. pan base</b>	
Cut-out dimensions (W x D) mm	560 x 480-490	Front left (mm)	140-240
Appliance dimensions (W x D) mm	585 x 520	Rear left (mm)	100-220
<b>Design</b>		Rear right (mm)	120-220
Stainless steel gas cooktop with integrated controls	•	Front right (mm)	120-220
Enamelled cast iron pot rests	•	<b>Safety features</b>	
<b>Controls</b>		GasStop	•
Operation via front dial controls	•	GasStop & ReStart	-
Stainless steel coloured metal dial/plastic dial	-/•	<b>Accessories</b>	
Quick start	•	Wok ring	•
GasStop/GasStop & ReStart	•/-	Mains connection cable	•
<b>Cooking zones</b>		Liquid gas jet kit (optional)	•
No. of gas burners	4	<b>Optional accessories</b>	
Front left	Mono Wok	Original Miele e-cloth	Opt. Acc.
Rear left	Small	Ceramic and stainless steel cooktop cleaner	Opt. Acc.
Rear right	Medium	<b>Electrical connection</b>	
Front right	Medium	Voltage (V)	230
<b>Burner output</b>		Connected load (W)	25
Front left MJ/h (wok)	14.4		
Rear left MJ/h	3.85		
Rear right MJ/h	5.85		
Front right MJ/h	5.85		



- 1. Front
- 2 Building-in depth
- 3. Gas connection R 1/2 - ISO 7-1 (DIN EN 10226)
- 4. Mains connection box with mains connection cable, L = 2000 mm