



Domestic Appliances/Cooking & Baking/Rangehoods/Models



DA 186

Design

60 cm wide, forms part of a run of wall cupboards
 Top hinged swivel door with cupboard front
 Extraction mode
 Recirculation mode possible with active charcoal filters

Dimensions

60 cm wide
 Adjustable carcass depth
 For installation in between wall units
 Can be fitted with a furniture panel weighing up to 12 kg
 Cooker hood vapour canopy can be adjusted to suit front panel weight

Price:
 AUS \$799



German engineered and tested to the equivalent of 20 years usage.

Controls

Electronic light-touch controls, 3 power settings plus Intensive and lighting Automatic reduction of Intensive after 10 mins.

Features

High performance fan motor
 Non-return flap
 5-layer, aluminium casing filter
 Ducting outlet through top of cooker hood
 150 mm duct diameter
 2 x 20 W halogen lighting for optimum cooktop illumination

Extraction rate

Vented operation 150 mm Ø in accordance with EN 61591
 Intensive: 560 m³/h, 65 dB(A) re 1 pW (52 dB(A) re 20 µPa acoustic pressure)
 Maximum: 400 m³/h, 57 dB(A) re 1 pW (44 dB(A) re 20 µPa acoustic pressure)
 Vented operation 125 mm Ø in accordance with EN 61591
 Intensive: 520 m³/h, 66 dB(A) re 1 pW (53 dB(A) re 20 µPa acoustic pressure)
 Maximum: 360 m³/h, 58 dB(A) re 1 pW (45 dB(A) re 20 µPa acoustic pressure)
 Recirculation operation 150 mm Ø in accordance with EN 61591
 Intensive: 250 m³/h, 71 dB(A) re 1 pW (57 dB(A) re 20 µPa acoustic pressure)
 Maximum: 200 m³/h, 66 dB(A) re 1 pW (52 dB(A) re 20 µPa acoustic pressure)

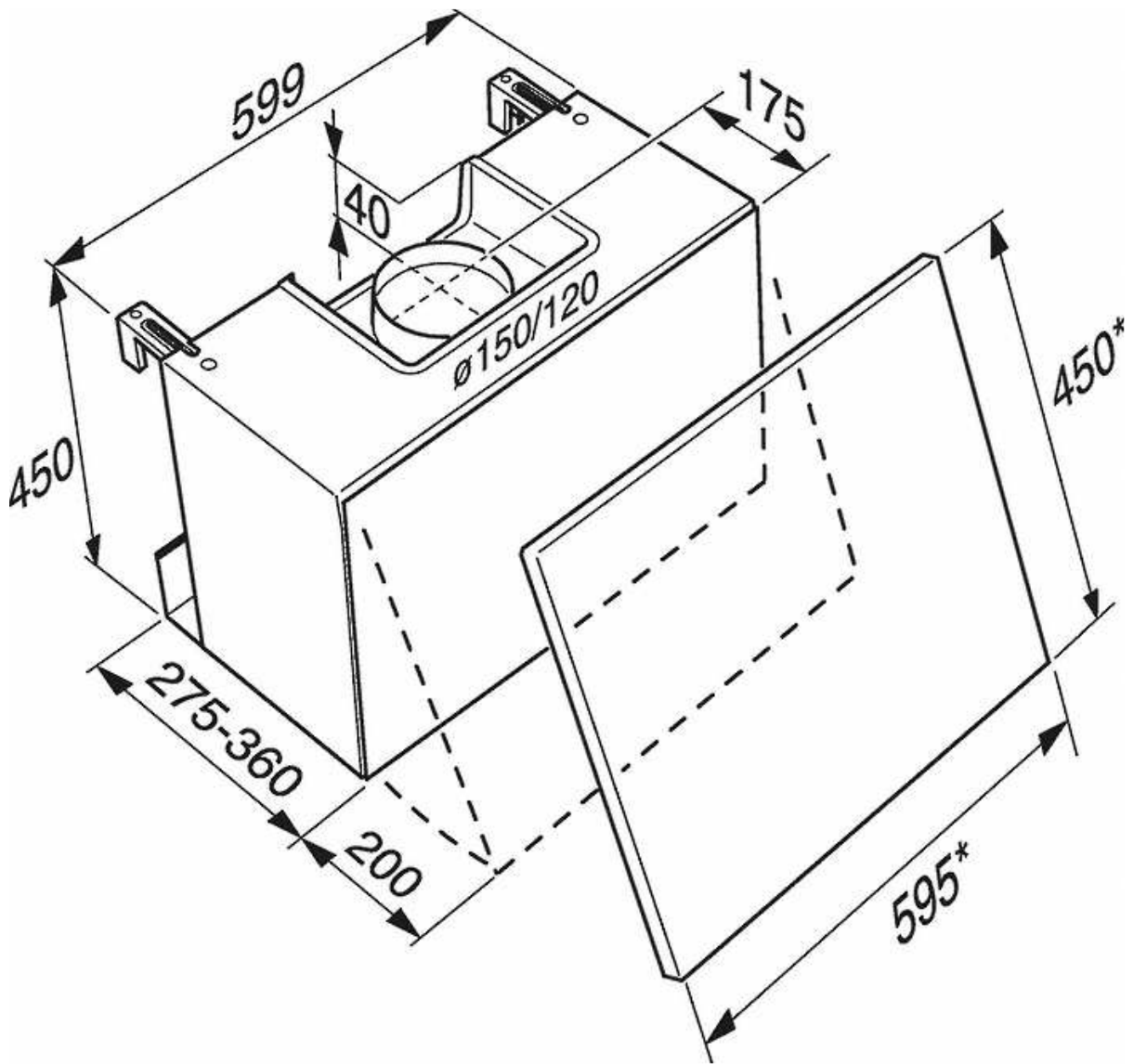
Optional accessories

DAMK 100-150 wall vent kit
 Flexible ducting DAS 100-200
 Active charcoal filter DKF 14-1

Product availability, information and prices are subject to change without prior notice.

Installation drawings

Installation diagrams are indicative measurements only and must be read in conjunction with the operating/installation instructions accompanying the product.



* Measurements of furniture front