

DA 6890

Downdraft extractor system

With dimmable LED lighting and touch controls for convenient operation.



- Family design – to match Generation 6000 built-in appliances
- Powerful – 710m³/h on the booster setting
- Practical – 15-minute automatic fan run-on
- Suitable for every home – for extraction or recirculation
- For perfect functionality – accessories for proper venting

Price \$ 3,999.00**

** GST inclusive

Construction type	
Downdraft extractor system	•
Design	
Colour	Stainless steel
Edge extraction	•
Operating modes	
Type of air guide	Convertible
External operation possible	•
User convenience	
Electronic controls	•
Touch-on-glass controls	•
Power levels (number without Booster level)	3
Booster level	•
Run-on time 15 min.	•
Grease filter saturation indicator	•
Motor-operated cooker hoods	•
Filter system	
Number of dishwasher safe metal grease filters	2
Lighting	
LED	•
Light intensity in Lx	300
Colour temperature in K	3,570
Dimmer function	•
Fan	
Dual-action fan	•
AC motor	•
Air throughput with max. duct diameter in extraction mode (not for external version)	
Air throughput in Level 1 (m ³ /h) according to EN 61591	220
Air throughput in Level 2 (m ³ /h) according to EN 61591	380
Air throughput in Level 3 (m ³ /h) according to EN 61591	450
Air throughput in Booster level (m ³ /h) according to EN 61591	710
Sound power in Level 1 (dB(A) re 1 pW) according to EN 60704-3	47
Sound power in Level 2 (dB(A) re 1 pW) according to EN 60704-3	57
Sound power in Level 3 (dB(A) re 1 pW) according to EN 60704-3	60
Sound power in Booster level (dB(A) re 1 pW) acc. to EN 60704-3	69
Sound pressure in Level 1 (dB(A) re 20 µPa) according to EN 60704-2-13	34
Sound pressure in Level 2 (dB(A) re 20 µPa) according to EN 60704-2-13	44
Sound pressure in Level 3 (dB(A) re 20 µPa) according to EN 60704-2-13	47
Sound power in Booster level (dB(A) re 20 µPa) acc. to EN 60704-2-13	56

DA 6890

Downdraft extractor system

With dimmable LED lighting and touch controls for convenient operation.

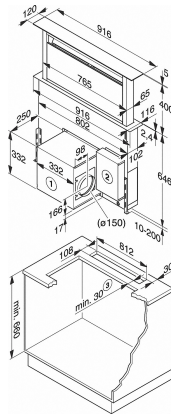


Air throughput in recirculation mode	
Air throughput in Level 1 (m ³ /h) according to EN 61591	230
Air throughput in Level 2 (m ³ /h) according to EN 61591	375
Air throughput in Level 3 (m ³ /h) according to EN 61591	435
Air throughput in Booster level (m ³ /h) according to EN 61591	640
Sound power in Level 1 (dB(A) re 1 pW) according to EN 60704-3	53
Sound power in Level 2 (dB(A) re 1 pW) according to EN 60704-3	60
Sound power in Level 3 (dB(A) re 1 pW) according to EN 60704-3	64
Sound power in Booster level (dB(A) re 1 pW) acc. to EN 60704-3	74
Sound pressure in Level 1 (dB(A) re 20 µPa) according to EN 60704-2-13	40
Sound pressure in Level 2 (dB(A) re 20 µPa) according to EN 60704-2-13	47
Sound pressure in Level 3 (dB(A) re 20 µPa) according to EN 60704-2-13	51
Sound power in Booster level (dB(A) re 20 µPa) acc. to EN 60704-2-13	61
Safety	
Safety switch-off	•
Single pane tempered glass	•
Technical data	
Overall height for extraction mode and external mode cooker hoods in mm	1,051
Overall height for recirculation mode cooker hoods in mm	1,051
Canopy width in mm	916
Canopy height in mm	646
Canopy depth in mm	361
Net weight in kg	37.0
Length of supply lead in m	1.5
Standard plug fitted	•
Total rated load in kW	0.28
Voltage in V	230
Fuse rating in A	10
Number of phases	1
Installation notes	
Extraction ducting connection top/rear/side/below	•
Diameter of extraction ducting connection in mm	150
Optimal combination with hob	KM 6381, KM 6699

DA 6890

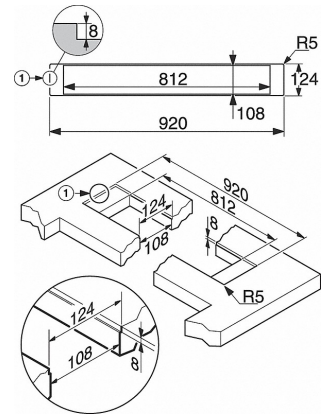
Downdraft extractor system

With dimmable LED lighting and touch controls for convenient operation.



DA 6890 Downdraft (installation drawing)

- 1) When installing the fan, it can be turned. So exhaust air can be extracted upwards, left, right or downwards. The motor can also be fitted in the same position at the back of the appliance. If the motor is fitted at the back of the appliance, the back panel of the furniture housing unit must be cut out in the installation area and sufficient installation space must be provided behind the unit.
 - 2) The electrical components can, if required, be positioned to the left of the fan inside the canopy or inside the wall unit.
 - 3) Dimensions depend on material. Installation with a gas hob is not possible.
- If the installation of an oven is planned in front of the appliance, relevant installation instructions and requirements regarding cooling air must be observed.



DA 6890 Downdraft (installation drawing)

1. Stepped cut-out for granite and marble worktops