



Domestic Appliances/Cooking & Baking/Cooktops/Models



KM 3014

Design

Gas on glass cooktop
Stainless steel frame
Cast iron pot rest (matt black enamel)

Cooking zones

3 cooking zones for natural gas or liquid gas
Center left: Dual wok, 0.8 - 17.0 MJ/hr
Rear right: Small burner, 1.0 - 4.0 MJ/hr
Front right: Medium burner, 1.6 - 9.8 MJ/hr
Dual wok: 140 - 260 mm
Small burner: 100 - 200 mm
Medium burner: 120 - 220

User convenience

Dial controls
Single-handed electronic ignition

Easy maintenance

Easy clean ceramic glass
Dishwasher-proof pot rests

Safety

GasStop

Dimensions

Appliance dimensions (W x D): 626 x 526 mm
Cut-out dimensions: 560-600 x 480-490

Standard accessories

Connection cable
Liquid gas jet kit
Wok ring

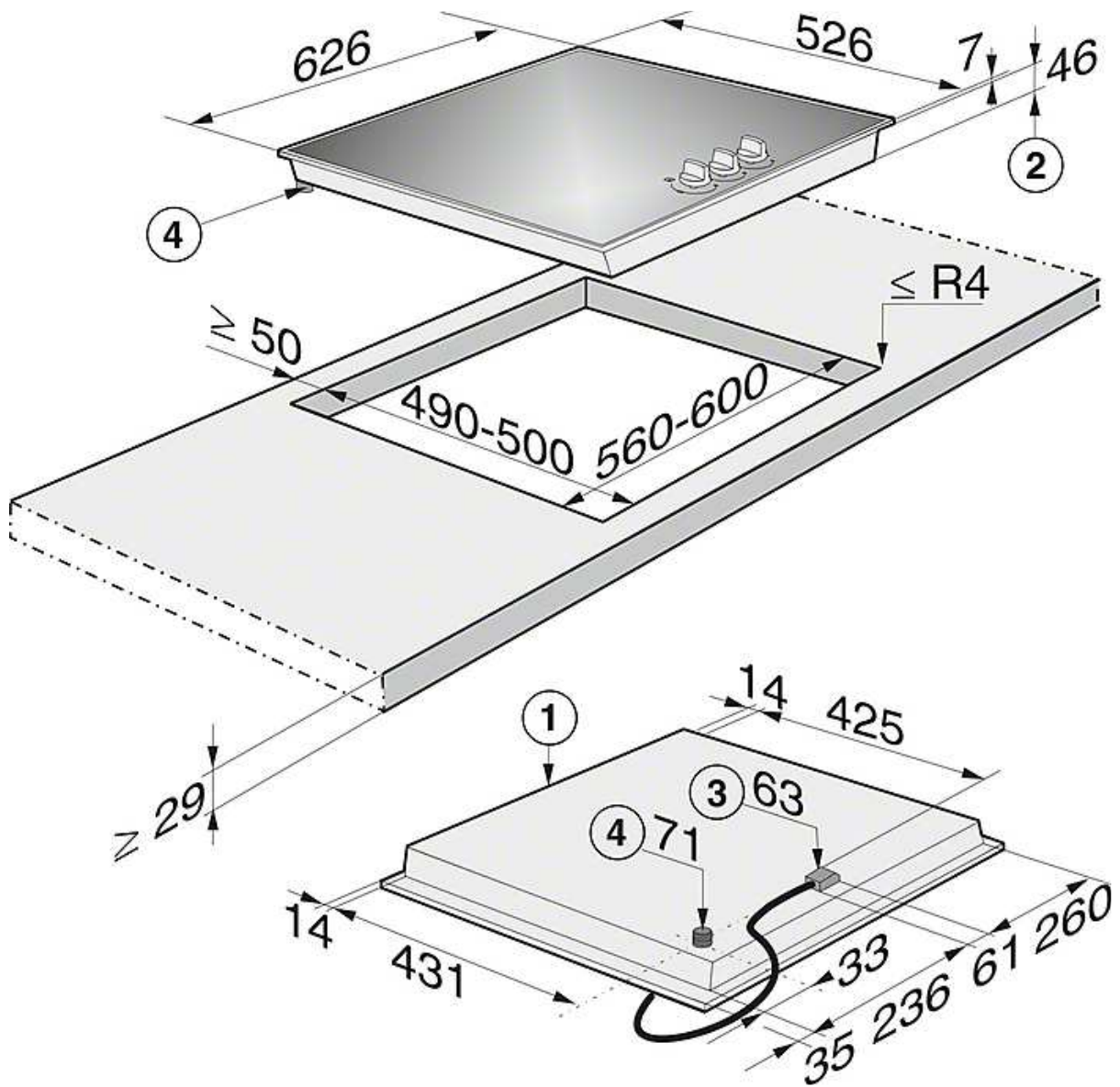
Electrical connection:

Total rated load: 0.025 kW

Product availability, information and prices are subject to change without prior notice.

Installation drawings

Installation diagrams are indicative measurements only and must be read in conjunction with the operating/installation instructions accompanying the product.



1. Front
2. Building- in depth
3. Mains connection box with mains connection cable L = 2,000 mmm
4. Gas connection R 1/2" - ISO 7-1 (DIN EN 10226)