

Built-under dishwashers with cutlery tray for maximum convenience at an attractive entry level price.

G 4203 SCU Active

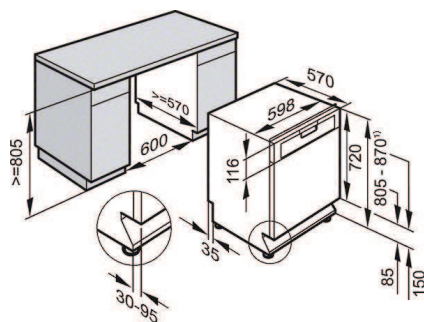


- «
- Save up to 40% electricity - Thermo Save
- Easy loading and unloading - Cutlery tray
- Very easy door opening and closing – ComfortClose
- Every piece of crockery has its place – Miele basket design

Type of appliance	
Built-under dishwasher	•
60 cm dishwasher	•
Design	
Colour	Stainless steel CleanSteel
Fascia panel version	Straight fascia
Control type	Programme selector
Display	3-digit 7-segment indicator
Display colour	Yellow
Convenience	
Door closing aid	ComfortClose
Countdown indicator	•
Delay start up to 24 hours	•
In-operation indication	Control display
Efficiency and sustainability	
Water consumption in the ECO programme in l	14,0
Water consumption in Automatic/Sensor wash programme in l	13,5
Consumption values with ThermoSave® in ECO programme in kWh	0,38
Hot water connection	•
Gentle treatment of crockery and glassware	
Recirculation turbothermic drying	•
Dishwashing programmes	
ECO	•
Automatic (Sensor wash)	•
Intensive 75°C	•
Normal 55°C	•
Gentle	•
Dishwashing options	
Short	•
Basket design	
Cutlery loading	Cutlery tray
Basket design	Comfort
Technology and quality	
Sensor technology	AutoSensor
Safety	
Waterproof system	•
Child safety lock	•
Technical data	
Niche width in mm	600
Niche height in mm	805
Niche depth in mm	570
Appliance width in mm	598
Appliance height in mm	805
Appliance depth in mm	570
Appliance depth with door open in mm	116,5
Net weight in kg	47,5
Total connected load in kW	2,2
Voltage in V	230
Fuse rating in A	10
Number of phases	1
Standard electrical frequency	50
Length of water inlet hose in m	1,50
Length of water drain hose in m	1,50
Length of electrical cable in m	1,90

Built-under dishwashers with cutlery tray for maximum convenience at an attractive entry level price.

G 4203 SCU Active



G1000er, G5000er, G6000er built-under dishwashers
(installation drawing) with footnote

1) Appliance height max. 930 mm with plince height
conversion kit (Mat.-Nr. 6.394.761)