

LEXA8K5, LEXA8WK5

BLANCO



Model Code
 LEXA8K5 - Anthracite
 LEXA8WK5 - White

Description
 Double bowl inset sink with drainer and overflow

Optional Accessories
 NAYACB
 SUBLINEBK
 CAPFLOW

Warranty
 30 year warranty



Hygiene + Plus

Features

Benefits

Engineered In Germany

Elegant SILGRANIT™ design impresses with its timeless, straight lined bowl geometry which will suit all types of kitchen products and worktops.

Durability

SILGRANIT™ PuraDur™ consists of 80% granite, which makes it unbeatably resilient, extremely durable, scratch resistant, heat resistant, unbreakable and acid resistant.

Hygiene + Plus™

A patented formula that acts as a shield against dirt and bacteria. This hygiene protection reduces bacteria growth by an average of 98%.

Maximum Bowl Size

Due to the smallest possible radii of 15mm it allows for a large sink area and a modern classy look.

Designer Wastes

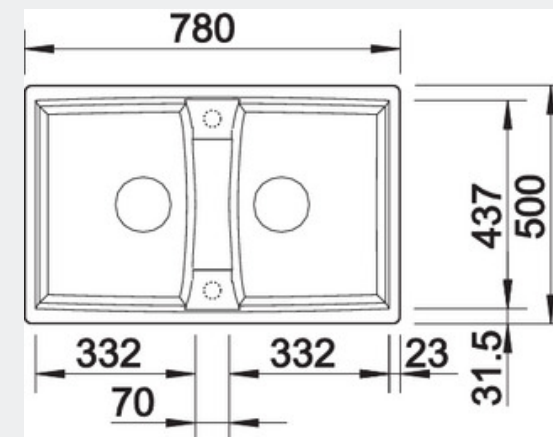
No additional costs after purchase.

Raised Tap Landing

Further elevates tap from water and helps to prevent grime build up at base of tap.



Specifications



Method of Installation:	Inset
Cabinet Size:	80cm cabinet
Overall Dimensions:	780w x 500d x 190/190hmm
Cut-out Dimensions:	760w x 480d (refer to CAD drawing on the website for corner radii)
Colour:	Anthracite, White
Bowl Capacity:	27 Litres
Standard Inclusion:	Designer Wastes and overflow
Integrated Overflow:	Yes
Warranty:	30 years

Note: Measurements are within 2 - 3mm of factory tolerance. It is advisable to check dimensions of physical product when measuring for installations and before doing any cut outs.

*Due to continual product development the information provided is not final and may be subject to change.