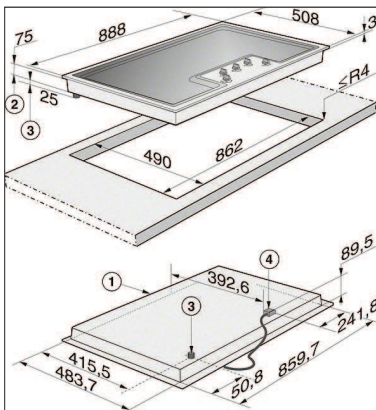


## Gas cooktop KM 2354



### Gas cooktop in maximum width for the best possible cooking and user convenience.

- Simple controls -single-handed operation via dial controls
- Modern design - 90 cm wide near-flush stainless-steel trough
- Particularly versatile - 5 burners incl. 1 dual wok
- Extremely safe - GasStop function
- Easy cleaning - dishwasher-safe ComfortClean pot rests



KM 2354 (Installation drawing) VG AUS

1. front
2. Building-in depth
3. Gas connection R 1/2 - ISO 7-1 (DIN EN 10226)
4. Mains connection box with mains connection cable L = 2000 mm

<b>Heating type</b>	
Heating type	Gas
<b>Construction type</b>	
Independent of oven	•
<b>Design</b>	
Stainless steel trough	•
Miele logo embossed in stainless steel	•
Cast iron pot rest (matt black enamelled)	•
<b>Ring details</b>	
No. of rings	5
<b>Ring</b>	
Position	front left
Type	Economy burner
Power rating in W	1.000
<b>Ring</b>	
Position	rear left
Type	High-speed burner
Power rating in W	2.700
<b>Ring</b>	
Position	Centred
Type	Dual wok burner
Power rating in W	4.500
<b>Ring</b>	
Position	rear right
Type	Standard burner
Power rating in W	1.700
<b>Ring</b>	
Position	front right
Type	Standard burner
Power rating in W	1.700
<b>User convenience</b>	
Operation via knobs	•
Electronic ignition with one-handed operation	•
<b>Cleaning convenience</b>	
Dishwasher-proof pot rests	•
<b>Safety</b>	
GasStop	•
<b>Technical data</b>	
Dimensions in mm (width)	888
Dimensions in mm (height)	75
Dimensions in mm (depth)	508
Built-in height with mains connection box in mm	90
Cutout dimensions in mm (width)	860
Cutout dimensions in mm (depth)	490
Weight in kg	19
Total connected load in kW	11,9
Voltage in V	230
Fuse rating in A	10
Number of phases	1
Cable length in m	2,0
<b>Standard accessories</b>	
Connection cable	•
Jet set for liquid gas	•
Wok ring	•
Small trivet	•