



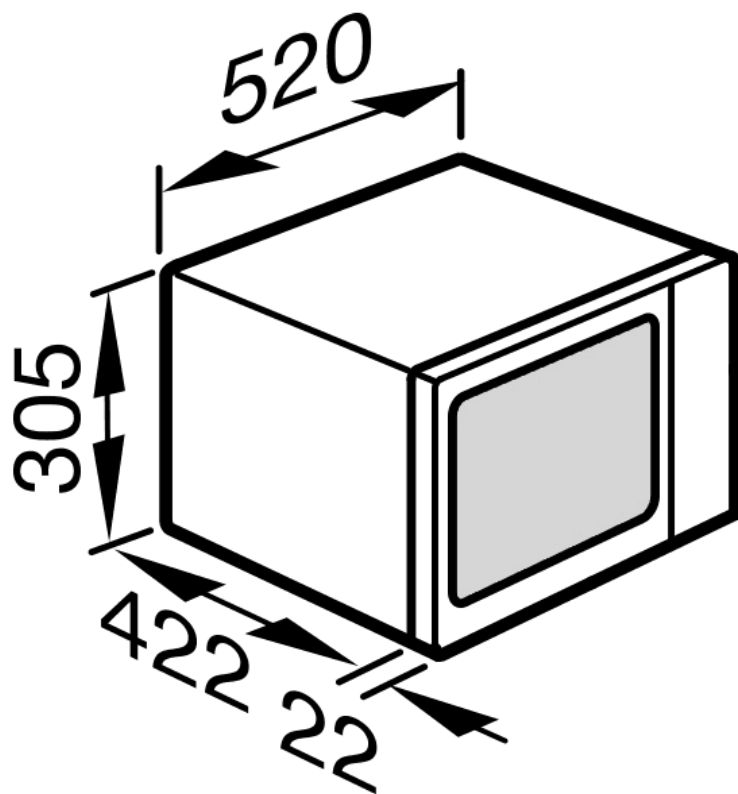
M 6012

Benchtop microwave oven

with Automatic programmes and Grill function at an attractive price

- Perfect defrosting and cooking thanks to automatic programmes
- Perfect and even browning results thanks to an integrated quartz grill
- Multi-level sequences in one step with Memory function
- Food remains ready to serve thanks to the Keeping warm function

Type of appliance		Efficiency and sustainability	
Benchtop microwave oven/Built-in microwave oven	•/–	Night dimming/Time of day running in background	•/–
Design		Technical data	
TopControl/SideControl	–/•	System lock	•
Gourmet advantages		Safety switch off	•
Electronically controlled microwave power	•	“Door” warning	•
Number of power levels (80 – 900 W)	7	Niche dimensions in mm (W x H x D)	–
Grill element	800 W	Ventilation independent of housing unit	–
Keeping warm function	•	Total connected load in kW/Voltage in V	2.17/220 – 240
Quartz grill	•	Accessories supplied	
Functions		Plate cover	•
Automatic programmes	17	Boiling rod	•
Microwave solo	•	Grilling rack	•
Grill element	•	Gourmet plate	•
Microwave + Grill combination mode	•	Available colours	
Convenience features		Stainless steel (CleanSteel)	•
Popcorn function	–	Brilliant White	–
Clock display	•	Obsidian Black	–
Minute minder/Automatic switch off	•/•	Mink	–
Quick start function	•		
Memory function	•		
Programmable settings	•		
Oven cavity			
Oven capacity in l	26 l		
LED oven lighting	•		
Oven cavity height in cm	20.7		
Turntable diameter in cm	32.5		
Appliance door			
Door contact switch	•		
Door button	•		
Door hinging	left		
Easy maintenance			
Stainless steel front with CleanSteel finish (CleanSteel appliances only)	•		



* Appliance with glass front

** Appliance with metal front