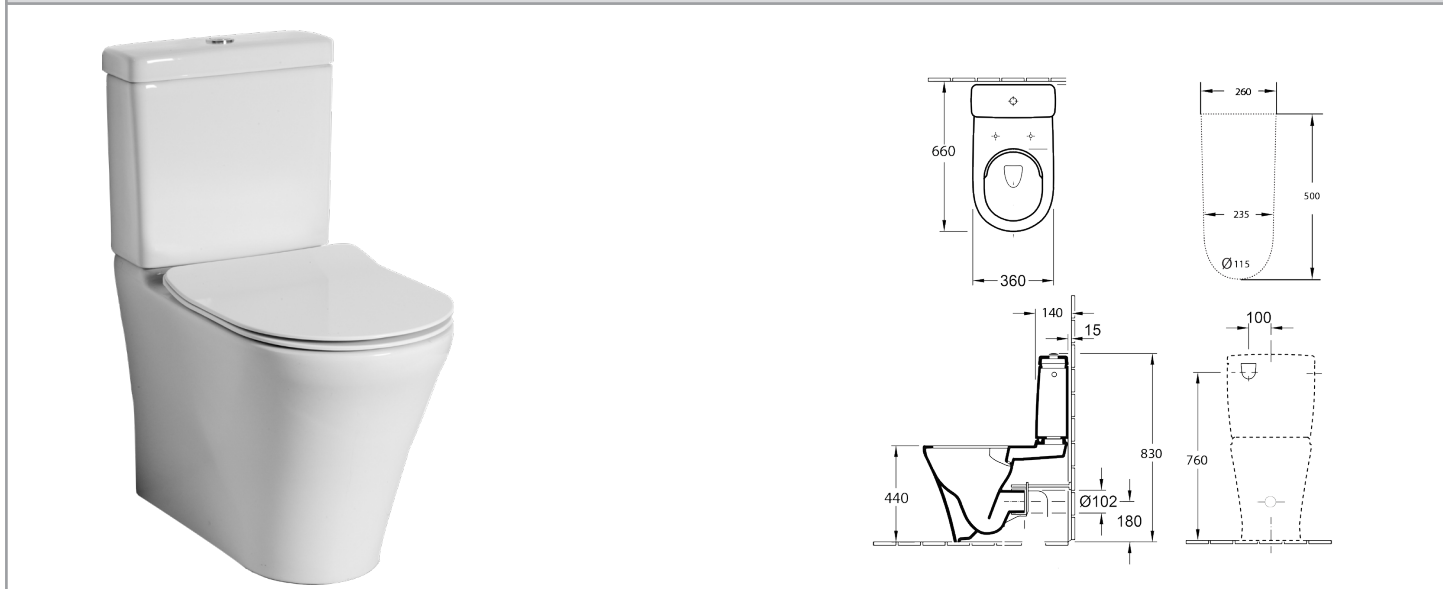




O.NOVO 2.0 DIRECTFLUSH BTW TOILET SLIM SEAT

Product Image	Technical Specification
---------------	-------------------------



Water Entry:	Rear water entry requires ½" BSP male thread extending past the finished wall
---------------------	---

*S-Trap Set-out options	Distance from finished wall to centre of soil pipe	Vario Bend required	Installation Notes
Recommended	140mm	50015PNEW	Supplied standard with S-trap Suites
Standard Adjustment Range	90-210mm	50015PNEW	Supplied standard with S-trap Suites
With extension bend	160-260mm	8702	Order separately with P-Trap Suite

Description

O.novo 2.0 DirectFlush BTW Toilet with Rear Water Entry & Slim Soft Closing Seat

4606R101L4DB S-Trap
4606R1R1L4DB S-Trap / CeramicPlus
4606R001L4B P-Trap
4606R0R1L4B P-Trap / CeramicPlus

Additional Information

- 5 Year Warranty (Conditions Apply)

Direct Flush
Villeroy & Boch

Soft Closing
Villeroy & Boch

Ceramic Plus
Villeroy & Boch

