

**Serie | 4, Washing machine, front loader, 7.5 kg, 1100 rpm
WAN22120AU**



Optional accessories

WMZ20490 : Platform with pull-out

The washing machine with EcoSilence Drive™: enjoy quiet operation plus excellent durability and Aquasecure Flood Protection System

- Anti-Vibration Side Panels reduce vibrations and ensure greater stability during the washing and spinning process
- **EcoSilence Drive™**: extremely energy-efficient and quiet in operation with an especially long life.
- 4 Star Energy Rating and 4.5 Star water rating reduces environmental impact, and cuts down on running costs.
- Drum Clean effectively removes any lingering odour, bacteria and detergent residue from the washing drum

Technical Data

Built-in / Free-standing :	Free-standing
Height of removable worktop (mm) :	850
Dimensions of the product (mm) :	848 x 598 x 550
Net weight (kg) :	70.050
Connection Rating (W) :	2050
Current (A) :	10
Voltage (V) :	220-240
Frequency (Hz) :	50
Approval certificates :	Australia Standards
Length electrical supply cord (cm) :	175
Capacity cotton (kg) :	7.5
Water consumption (l) :	64
Door hinge :	Left
Wheels :	No
EAN code :	4242002970875
Capacity cotton (kg) - NEW (2010/30/EC) :	7.5
Energy consumption annual (kWh/annum) :	285.00
Energy consumption (kWh) :	0.76
Spin drying performance class :	C
Maximum spin speed (rpm) :	1100
Installation typology :	Freestanding



**Serie | 4, Washing machine, front loader, 7.5 kg, 1100 rpm
WAN22120AU**

The washing machine with EcoSilence Drive™: enjoy quiet operation plus excellent durability and Aquasecure Flood Protection System

Safety

- Advanced AquaSecure™ self-sealing hose to minimise risk of flooding
- Child-proof lock

Technical Information

- Dimensions (H x W x D): 84.8 cm x 59.8 cm x 55.0 cm (60.0 cm with door frame)

Capacity

- Capacity: 7.5 kg

Consumption rates

- 4 Star Energy Rating
- 4.5 Star water rating (WELS)
- 64 l water consumption per wash and 285 kwh energy consumption p.a. on Cotton 60C, Eco, 1100 r/min wash program

Programmes

- Cottons, Cottons+ Prewash, Easy-Care, Mix, , Wool, Drum Clean, Sportswear, Delicates, Super 15'/30', Quilt, Dark wash

Performance

- Eco Silence Drive motor : more energy efficient, durable and quiet
- VarioPerfect™: high performance programmes which allow you to clean your laundry with up to 50% less energy or reduce cleaning time by up to 65%
- AntiVibration Side Panels reduce vibrations and noise levels, making it extremely quiet during the spin cycle
- ActiveWater™: automatic load adjustment system
- Maximum spin speed: 1100 (rpm)

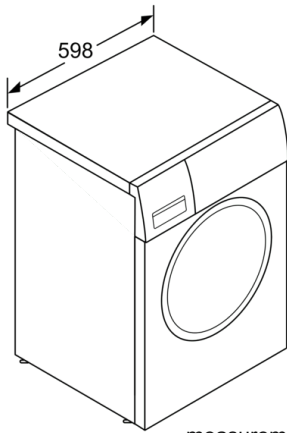
Convenience

- Time delay to select end of time of your wash (1-24 hours) and time remaining indicator
- Foam detection system to remove excessive foam
- Reload function to pause machine operation for adding forgotten laundry items
- End of cycle indicator

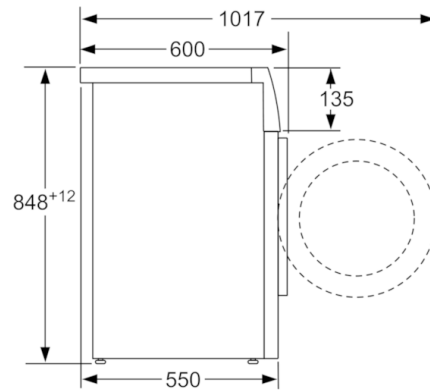
Design

- Large LED display screen to indicate: Programme status, Temperature and Spin Speed Selection, Remaining Time and 24 h End Time Delay, Load Recommendation
- TouchControl buttons include : Start/Pause with Reload function, ecoPerfect/speedPerfect, Temperature Selection, Time delay start, Spin speed adjust
- 32 cm porthole, 175° swing door for easy loading and unloading of laundry

**Serie | 4, Washing machine, front loader, 7.5
kg, 1100 rpm
WAN22120AU**



measurements in mm



measurements in mm