

**Serie | 8, Canopy cooker hood, 86 cm,  
Stainless steel  
DHL895DAU**



**The integrated rangehood: offers a sleek and seamless design in the kitchen with fully integrated installation.**

- **Extraction rate:** at 800 m<sup>3</sup>/h, it quickly ensures optimal kitchen air quality.
- **LED lighting:** for perfect, energy-efficient illumination of the cooktop.
- **Intensive speed setting with reset:** automatically resets the hood to regular speed setting after 6 min.
- **Especially quiet:** high performance at just 64 dB.

**Technical Data**

Typology :	Traditional
Approval certificates :	Australia Standards, CE, VDE
Length electrical supply cord (cm) :	150
Required niche size for installation (HxWxD) :	418mm x 836mm x 264mm
Minimum distance above an electric hob :	500
Minimum distance above a gas hob :	650
Net weight (kg) :	12.131
Type of control :	Electronic
Maximum output air extraction (m <sup>3</sup> /h) :	610
Boost position output recirculating (m <sup>3</sup> /h) :	380
Maximum output recirculating air (m <sup>3</sup> /h) :	310
Boost position air extraction (m <sup>3</sup> /h) :	800
Number of lights :	2
Noise level (dB) :	64
Diameter of air outlet (mm) :	150 / 120
Grease filter material :	Washable aluminium
EAN code :	4242005141241
Connection Rating (W) :	172
Current (A) :	3
Voltage (V) :	220-240
Frequency (Hz) :	50
Plug type :	AU plug
Installation typology :	Built-in

**Optional accessories**

DHZ5605 : Recirculating kit



4 242005 141241

**Serie | 8, Canopy cooker hood, 86 cm,  
Stainless steel  
DHL895DAU**

**The integrated rangehood: offers a sleek and seamless design in the kitchen with fully integrated installation.**

---

**Design & Innovation**

- 86 cm Fully integrated rangehood
- Appliance colour: Stainless steel

**Power and Mode of Operation**

- 3 power settings plus intensive setting
- Extraction rate according to EN 61591 ø 15 cm:
  - max. Normal use 610 m<sup>3</sup>/h
  - Intensive 800 m<sup>3</sup>/h
- Ducted and recirculated-air operation
- Accessories required for recirculation mode: CleanAir Module
- Electronic controls with green Electronic display
- EcoSilence BLDC brushless motor
- Rim ventilation
- Noise min./max. Normal Level: 41/64 dB
  - Noise max. Intensive setting: 70 dB
- Power rating: 172 W

**Comfort & Convenience**

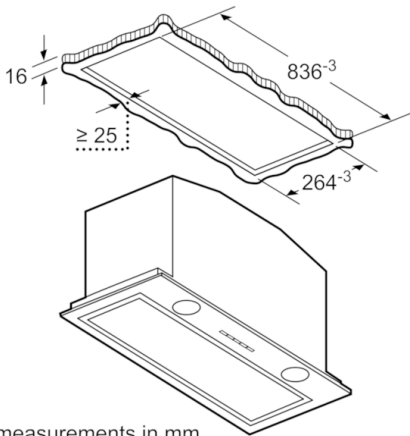
- Dishwasher safe metal grease filters
- Intensive operation automatic revert - 6min
- Automatic run on for Automatic run on time - 30 min
- 2 x 1 Watt LED lights
- Saturation display for filters

**2 year warranty**

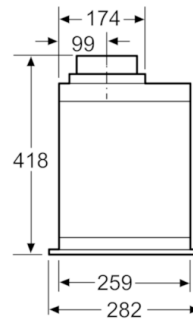
**Technical Information**

- Dimensions exhaust air (HxWxD): 418-418 x 860 x 282 mm
- Dimensions recirculating (HxWxD): 418-418 x 860 x 282 mm
- Diameter pipe ø 150 mm (ø 120 mm enclosed)
- Electrical cable length 1.5 m

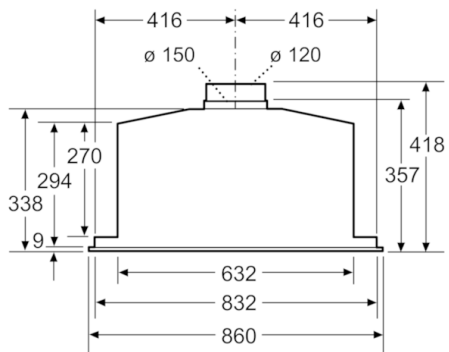
**Serie | 8, Canopy cooker hood, 86 cm,  
Stainless steel  
DHL895DAU**



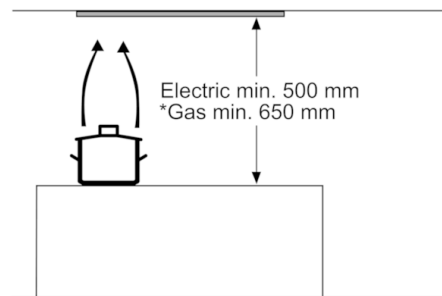
measurements in mm



measurements in mm



measurements in mm



\* from upper edge of pan support

measurements in mm