



---

RF287500

---

---

2 x cold accumulator  
1 x ice cube tray

---

---

RA260000:  
Heavy duty hinge support (RB 2x)

---

---

Vario freezer 200 series  
177.2 x 55.8 cm, soft close flat hinge  
RF287500

---

- Glare-Free LED Light Spots
  - Interior with precision-fitted, solid aluminium elements in Gaggenau Light Bronze
- Safety glass shelves, set in solid aluminium profiles
- Drawers with solid aluminium handles and signature drawer front with a gradual frosted surface
- Warm white interior lighting (3500 K) with integrated glare-free side lights
- Direct access through partitioning with open storage areas
- Combines with fridge RC 289 (side-by-side integration)
- Cushioned door closing system allowing a soft and controlled door closure

#### Handling

Electronic temperature control with temperature display.  
Touch keys.

#### Technical Features

Dynamic cold air distribution.  
Cushioned door closing system from 20° door opening angle, integrated in door hinge.  
Open-door and malfunction alarm.

#### Freezing

Total volume 212 l .  
No-frost technology with fast freezing.  
Temperature adjustable from -14 °C to -24 °C.  
Freezing capacity 14 kg/24 h.  
Storage time after a malfunction 22 h.  
3 freezer drawers, 1 of which is extra large, removable.  
6 safety glass shelves, removable.

#### Consumption data

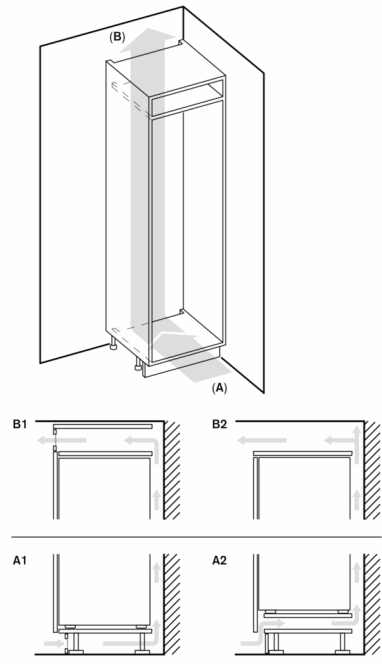
4,5 Star (AU).  
Energy consumption 195 kWh/year.  
Noise level 35 dB (re 1 pW).

#### Planning notes

Flat hinge.  
Door hinge left, reversible.  
Door opening angle of 115°, fixable at 90°.  
Max. door panel weight 22 kg.  
For a side-by-side installation every appliance must be planned in its own niche.

#### Connection

Connecting cable 2.3 m with plug.



A: Air inlet  $\geq 200 \text{ cm}^2$ ; ventilation options A1 or A2  
 B: Air outlet  $\geq 200 \text{ cm}^2$ ; ventilation options B1 or B2

