

Focus

Single lever basin mixer 100 without waste set

Surfaces: **Chrome** Article Number: **31517003**



Description

product features

- ComfortZone 100
- handle variant: lever handle
- maximum flow rate at 3 bar: 5 l/min
- suitable for continuous flow water heaters
- connection dimension: DN15
- not included: waste set

Technology



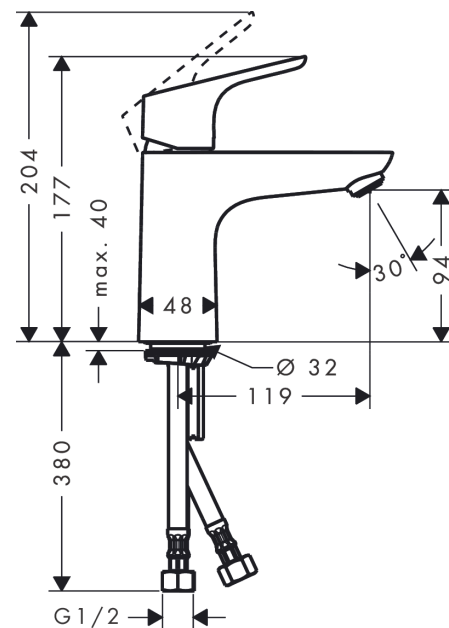
Certificates



Product image



Scale drawing



Flowchart

