

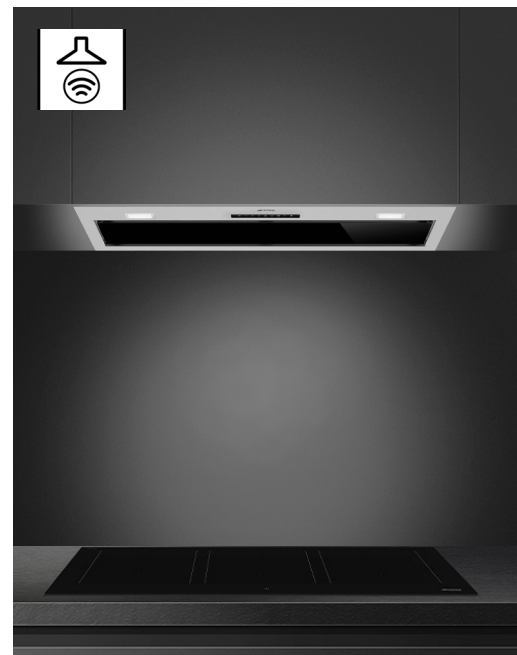
KSGAU9P4VN 90CM UNDERMOUNT RANGEHOOD

MADE IN ITALY
Since 1948



AUTOVENT 2.0

A smart technology system that uses Bluetooth to connect compatible Smeg induction cooktops to the rangehood and automatically adjusts the extraction speed based on the temperature and power of the paired induction cooktop.



CLEAN AIR

The 24 hour air exchange function makes the rangehood work for 10 minutes, every hour at very low speed and low noise, for up to 24 hours to purify the air of the house, with low energy impact.

PERIMETER EXTRACTION

Rising vapours are led outwards along the peripheral areas of the plate, sucked to the outer edges and directed to the filter located behind. At the edge of the rangehood, a high airflow velocity is created, which ensures that vapours cannot escape laterally.

ADJUSTABLE LIGHT COLOUR INTENSITY

The Dimmer function allows the temperature of the light to change gradually and circularly from cold to warm.

INTENSIVE FUNCTION

Operate the hood at maximum power with the Intensive function, helping to speed up the elimination of the most persistent odours.

DELAY FUNCTION

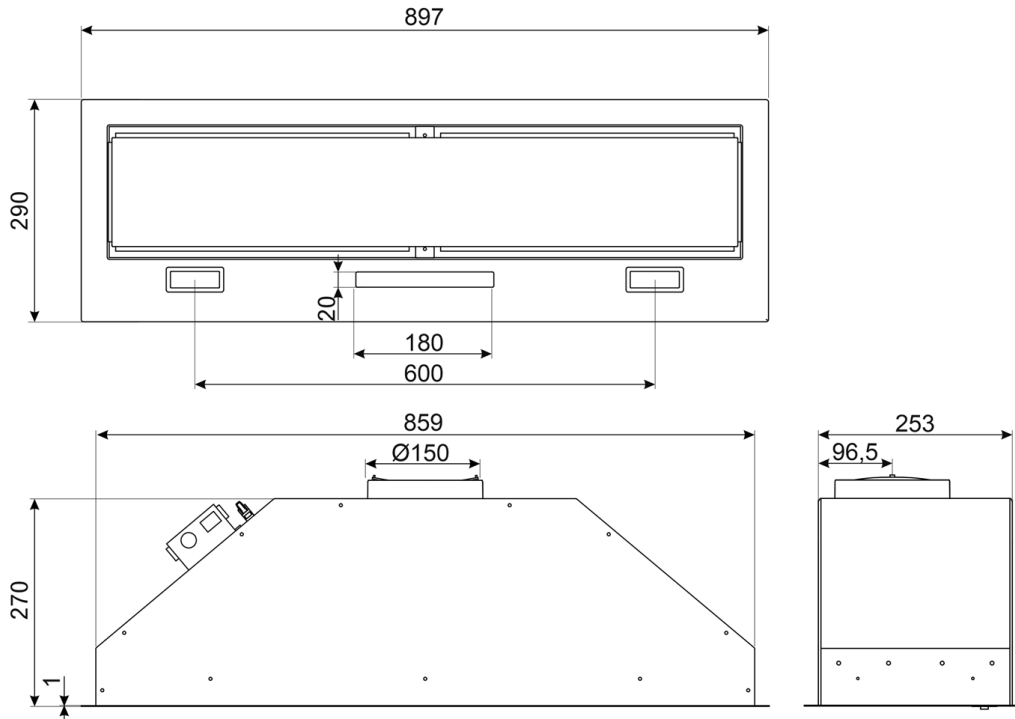
The Delay function ensures quick and efficient extraction of residual smoke, moisture and grease particles in the air after cooking.

RANGEHOOD FEATURES

| | |
|--------------------------------|--|
| EAN | 8017709336608 |
| Dimensions | 897mmW x 270mmH x 290mmD |
| Finish | Stainless steel with black glass |
| Hood type | Fully integrated |
| Installation | Undermount |
| Motor | 1 x 230W |
| Max airflow | 697 m ³ /h (IEC 61591) |
| Noise rating | 45 - 67 dB(A) (IEC 60704-2-13) |
| Illumination | 2 x 2.3W LED |
| Dimmer mode | Yes |
| Light colour temperature range | 2700° - 4000° K |
| Speeds | 3 |
| Intensive speed | Yes |
| 24 hour air filter function | Yes |
| Autovent 2.0 | Yes |
| Time setting options | Automatic switch off |
| Control | Back-lit touch control |
| Supplied accessories | 2 x aluminium grease filters |
| Ducting Options | Duct to atmosphere or recirculate — 1 x 150mm diameter ducting required |
| Power | 220 - 240V, 50 - 60Hz 10A Connection (3-pin plug) |
| Warranty | Five years parts and labour |

KSGAU9P4VN
90CM UNDERMOUNT RANGEHOOD

MADE IN ITALY
Since 1948



| | |
|------------|--|
| Dimensions | 897mmW x 270mmH x 290mmD |
| Power | 220 – 240V, 50 – 60Hz 10A Connection (3-pin plug) |
| Warranty | Five years parts and labour |

PLEASE NOTE: drawings are not to scale. They are to assist only.
WARNING: technical specifications and product sizes can be varied by the manufacturer without notice.
Cutouts for appliances should only be by physical product measurements. The above information is indicative only.