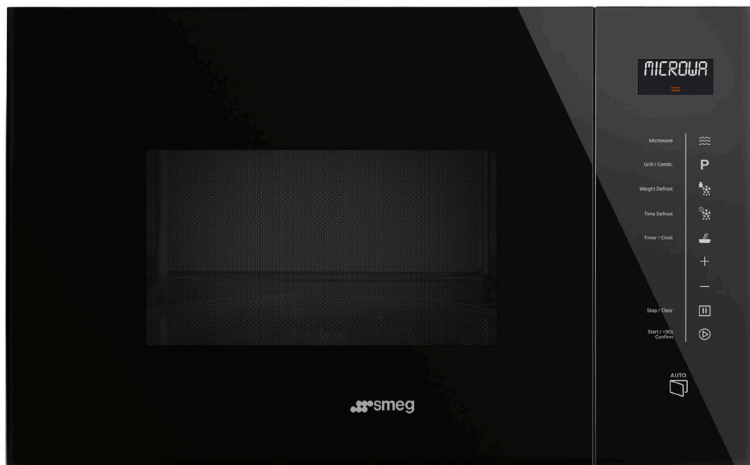


# FMIA125B3

LINEA 25L BUILT-IN MICROWAVE OVEN

MADE IN ITALY  
Since 1948



## COOKING FUNCTIONS:



MICROWAVE



MICROWAVE  
+ GRILL



GRILL

## OTHER FUNCTIONS:



DEFROST BY  
TIME



DEFROST BY  
WEIGHT

## MICROWAVE FEATURES

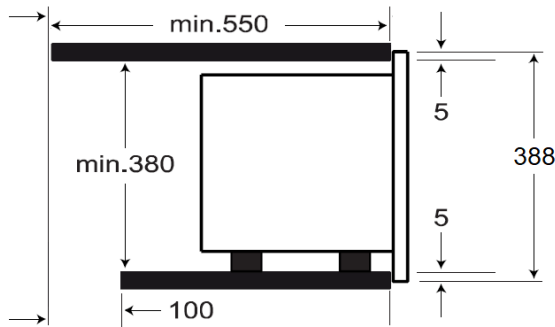
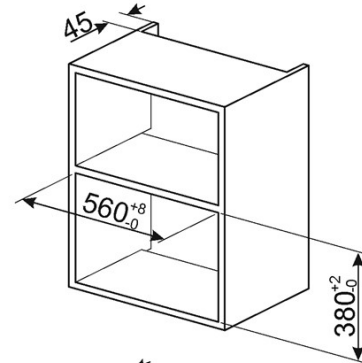
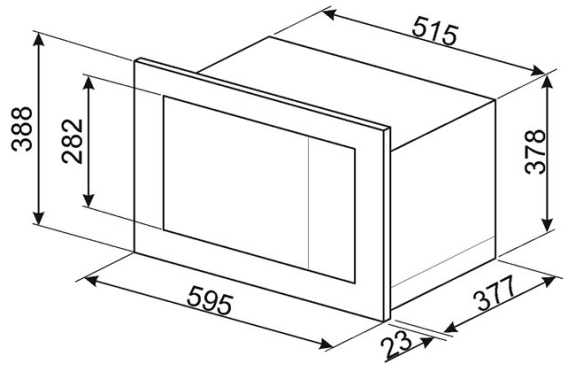
|                      |  |
|----------------------|--|
| EAN                  | 8017709346225  |
| Dimensions           | 595mmW x 388mmH x 400mmD   |
| Finish               | Pure Black   |
| Display              | Digital  |
| Capacity             | 25L  |
| Installation         | Built-in<br>Under-bench installation permitted<br>(refer to technical drawing) |
| Cavity type          | Stainless steel interior   |
| Turntable            | 31.5cm diameter  |
| Power levels         | 5  |
| Microwave power      | 900W   |
| Grill Power          | 1000W  |
| Cooking functions    | Microwave, Microwave + Grill, Grill  |
| Automatic cooking    | 8 - Pizza, Meat, Vegetable, Pasta, Potato, Fish,<br>Beverage, Popcorn          |
| Defrost              | By Time and Weight   |
| Other functions      | Multi-stage cooking<br>Quick Start option                                      |
| Lighting             | 1 x incandescent   |
| Control panel        | Electronic touch pad   |
| Opening              | Side opening, touch control  |
| Clock                | LED  |
| Timer                | End of cooking acoustic alarm  |
| Supplied accessories | 1 x grill stand<br>1 x suction cup   |
| Safety               | Control lock, safety thermostat, microwave stops<br>when door is opened        |
| Power                | 230V, 50Hz, 10A Connection   |
| Warranty             | Five years parts and labour  |

**FMIA125B3**

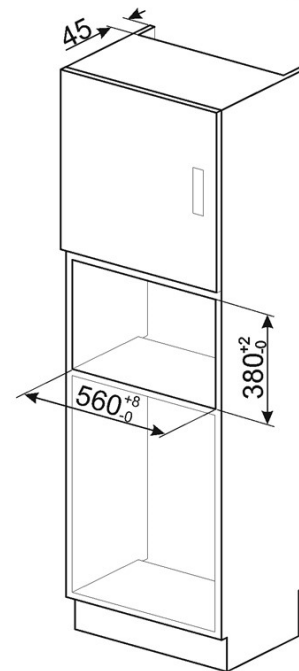
LINEA 25L BUILT-IN MICROWAVE OVEN

MADE IN ITALY

Since 1948



NB. For under bench installation please allow 100mm clearance from cabinetry to the floor



PLEASE NOTE: drawings are not to scale. They are to assist only.  
WARNING: technical specifications and product sizes can be varied by the manufacturer without notice.  
Cutouts for appliances should only be by physical product measurements. The above information is indicative only.