

N 90, BUILT-IN OVEN WITH STEAM FUNCTION, 60 X 60 CM, FLEX DESIGN B69FY5CY0A



*Twist Pad Flex© sold separately



Z11AB15A0 Baking tray, non-stick ceramic coated, Z11AU15A0 Universal pan, non-stick ceramic coated, Z11CG10X1 AirFry & Grill Set, Z11CR10X0 Baking and roasting grid (standard), Z11SZ00X1 SC FlexDesign mounting kit, Z12CB10A0 Baking tray, enamelled, Z12CL10A0 Lid for professional pan, enamelled, Z12CM10A0 Moussaka pan, enamelled, Z12CN10A0 Professional pan, enamelled, Z12CP10A0 Pizza pan, enamelled, Z12CU10A0 Multipurpose pan, enamelled, Z1365WX0 Wireless food thermometer, Z13CR10X0 Baking and roasting grid (steam), Z13CV06S0 Decor strip, Z1608DX0 Full ext rails, level independent, steam, Z1650DUO 2 steamcontainer(punched/unpunched)sizeM, Z1655CA0 Air Fry & Grill tray, Z9060AY0 (SC)FlexDesign AG 60 Oven 60, Z9105AY0 SC FlexDesign AG 105 60 + 45, Z9105BY0 SC FlexDesign BB 105 60 + 45, Z9105DY0 SC FlexDesign DB 105 60 + 45, Z9060BY0 (SC)FlexDesign BB 60 Oven 60, Z9060DY0 (SC)FlexDesign DB 60 Oven 60, Z9060MY0 (SC)FlexDesign MS 60 Oven 60, Z9075AY0 SC FlexDesign AG 75 WD 14 + 60, Z9075BY0 SC FlexDesign BB 75 WD 14 + 60, Z9075DY0 SC FlexDesign DB 75 WD 14 + 60, Z9075MY0 SC FlexDesign MS 75 WD 14 + 60, Z9098AY0 SC FlexDesign AG 98 60 + MW 38, Z9098BY0 SC FlexDesign BB 98 60 + MW 38, Z9098DY0 SC FlexDesign DB 98 60 + MW 38, Z9098MY0 SC FlexDesign MS 98 60 + MW 38, Z9105MY0 SC FlexDesign MS 105 60 + 45, Z912AAY0 SC FlexDesign AG 120 WD14 + 60 + 45, Z912ABY0 SC FlexDesign BB 120 WD14 + 60 + 45, Z912ADY0 SC FlexDesign DB 120 WD14 + 60 + 45, Z912AMY0 SC FlexDesign MS 120 WD14 + 60 + 45, Z912BAY0 SC FlexDesign AG 120 60+60, Z912BBY0 SC FlexDesign BB 120 60+60, Z912BDY0 SC FlexDesign DB 120 60+60, Z912BMY0 SC FlexDesign MS 120 60+60, Z9801TWAY0 Twist Pad Flex, Anthracite Grey, Z9801TWBY0 Twist Pad Flex, Brushed Bronze, Z9801TWDY0 Twist Pad Flex, Deep Black, Z9801TWMY0 Twist Pad Flex, Metallic Silver, Z990AAY0 SC FlexDesign AG 90 WD 29 + 60, Z990ABY0 SC FlexDesign BB 90 WD 29 + 60, Z990ADY0 SC FlexDesign DB 90 WD 29 + 60, Z990AMY0 SC FlexDesign MS 90 WD 29 + 60

Flex Design Slide & Hide® Oven with Full Steam and Flex Control. Changeable design elements available in four different colours and Premium 6,8" Full Touch TFT Display. Easy to handle door that gently disappears under the oven and closes smoothly. Multipoint Meatprobe with forecast function. Intensive Steam 120 °C. Home Connect - control your oven via the App.

- ✓ Slide & Hide® - An easy to handle door that disappears under the oven for unrestricted access.
- ✓ Flex Design - Choose a finishing touch to match your kitchen's aesthetic – now and later!
- ✓ FullSteam Oven: A full function oven and steamer in one. Use FullSteam to create healthy, succulent dishes with intense flavour.
- ✓ Premium 6,8" Full Touch TFT Display - Easy to use and intuitive interface for maximum comfort.
- ✓ Flex Control - Whether twisting or turning, the high-resolution interface adapts to you!

Built-in / Free-standing:	Built-in
Door opening:	Drop down
Cleaning :	EcoClean program
Control Panel Material:	Glass
Door Material:	Glass
Dimensions (HxWxD):	595 x 596 x 548 mm
Dimensions of the packed product (HxWxD):	675 x 660 x 690 mm
Min. required niche size for installation (HxWxD):	585-595 x 560-568 x 550 mm
Cavity dimensions:	355 x 480 x 415 mm
Usable volume of cavity:	71 l
Number of interior lights:	1
Net weight:	41.2 kg
Gross weight:	43.9 kg
EAN code:	4242004266358
Connection Rating:	3600 W
Fuse protection:	16 A
Voltage:	220-240 V
Frequency:	50; 60 Hz
Length electrical supply cord:	120.0 cm



Z11SZ00X1 SC FlexDesign mounting kit, Z9060AY0 (SC)FlexDesign AG 60 Oven 60, Z9060BY0 (SC)FlexDesign BB 60 Oven 60, Z9060DY0 (SC)FlexDesign DB 60 Oven 60, Z9060MY0 (SC)FlexDesign MS 60 Oven 60, Z9075AY0 SC FlexDesign AG 75 WD 14 + 60, Z9075BY0 SC FlexDesign BB 75 WD 14 + 60, Z9075DY0 SC FlexDesign DB 75 WD 14 + 60, Z9075MY0 SC FlexDesign MS 75 WD 14 + 60, Z9098AY0 SC FlexDesign AG 98 60 + MW 38, Z9098BY0 SC FlexDesign BB 98 60 + MW 38, Z9098DY0 SC FlexDesign DB 98 60 + MW 38, Z9098MY0 SC FlexDesign MS 98 60 + MW 38, Z9105AY0 SC FlexDesign AG 105 60 + 45, Z9105BY0 SC FlexDesign BB 105 60 + 45, Z9105DY0 SC FlexDesign DB 105 60 + 45, Z9105MY0 SC FlexDesign MS 105 60 + 45, Z912AAY0 SC FlexDesign AG 120 WD14 + 60 + 45, Z912ABY0 SC FlexDesign BB 120 WD14 + 60 + 45, Z912ADY0 SC FlexDesign DB 120 WD14 + 60 + 45, Z912AMY0 SC FlexDesign MS 120 WD14 + 60 + 45, Z912BAY0 SC FlexDesign AG 120 60+60, Z912BBY0 SC FlexDesign BB 120 60+60, Z912BDY0 SC FlexDesign DB 120 60+60, Z912BMY0 SC FlexDesign MS 120 60+60, Z990AAY0 SC FlexDesign AG 90 WD 29 + 60, Z990ABY0 SC FlexDesign BB 90 WD 29 + 60, Z990ADY0 SC FlexDesign DB 90 WD 29 + 60, Z990AMY0 SC FlexDesign MS 90 WD 29 + 60

*N 90, BUILT-IN OVEN WITH STEAM FUNCTION, 60
X 60 CM, FLEX DESIGN
B69FY5CY0A*

Heating Functions

- Combi-steam oven with 24 heating methods: CircoTherm®, Top/bottom heating, Circo-roasting, Full surface grill, Centre area grill, Pizza Setting, Bread Baking, Bottom heating, Low temperature cooking, Plate warming, Keep warm, CircoTherm® gentle, Top/bottom heating gentle, Air fry, FullSteam, Reheating, Dough Proving, Defrost setting, Sous-vide cooking, Circo-roasting + steam, Bread Baking + steam, keep warm + steam, CircoTherm® + steam, Top/bottom heat + steam
- Temperature range 40 °C - 250 °C.
- Full Steam at up to 120 °C
- Cavity volume: 71 net usable litres

Hook-in racks / rails

- Number of shelf levels: 4
- 1 set of level independent telescopic rails (Clip-on rail), full extension, safety stop function

Design

- Flex Design (available in four colours)
- ShiftControl
- Cavity inner surface: enamel

Cleaning

- Eco Clean: coating of ceiling, back panel, side liners
- EasyClean program
- Full glass inner door - safer touch door

Convenience

- Oven Assistant with Voice Control
- Premium 6.8" Full Touch TFT Display
- Flex Control (operation with one or two Twist Pad Flex® dials possible)
- Electronic clock with start / stop function
- Automatic temperature proposal, Actual temperature display, Optical temperature control, Meat probe function
- Hide®, the fully retracting oven door
- Slide®, the revolving handle
- Oven door with Soft Close, SoftOpen
- Automatic Meal Settings
- Multipoint Meatprobe
- Rapid heat-up
- Steam Jet - add for 3min intensive steam with a touch of a button.
- There are different steam intensities selectable: steam level high, steam level middle, steam level low
- LED light
- Water tank empty indicator
- Location of the steam generator is outside of the cavity
- Cooling fan
- Stainless-steel fan
- HomeConnect

Accessories

- 1 x Air Fry & Grill tray, 1 x Steam container, punched, size M, 1 x steam container, punched, size XL, 1 x Steam container, unpunched, size M, 2 x grid, 1 x universal pan

Safety and Environment

- Low door temperature
- Triple glazed door
- Individual adjustable child lock, Safety switch off, Residual heat indicator, Start button, Door contact switch

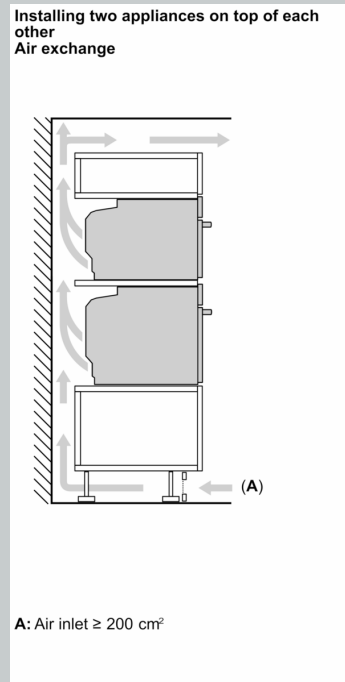
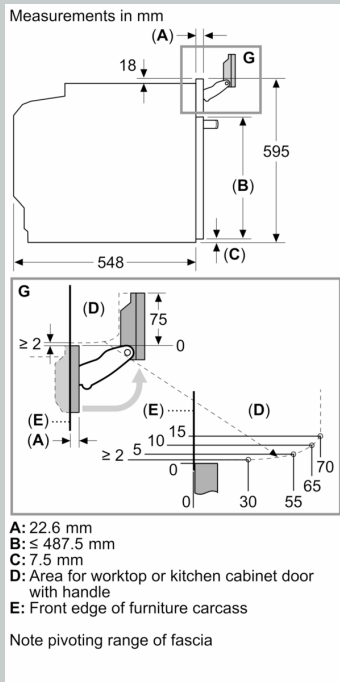
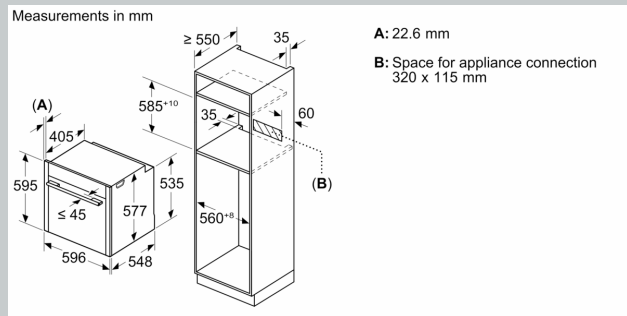
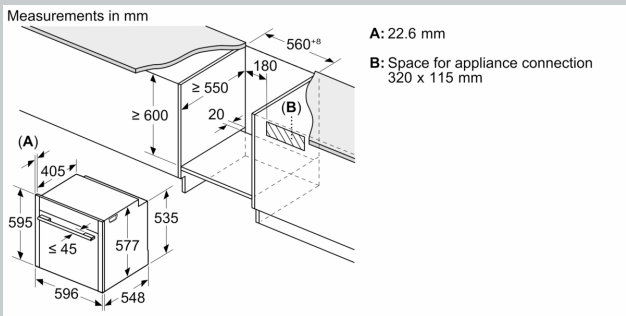
Technical Info

- Length of mains cable: 120 cm
- Nominal voltage: 220 - 240 V
- Total connected load electric: 3.6 KW

Dimensions

- Appliance dimensions (HxWxD): 595 mm x 596 mm x 548 mm
- Installation dimensions (HxWxD): 585 mm - 595 mm x 560 mm - 568 mm x 550 mm
- Please reference the built-in dimensions provided in the installation drawing

N 90, BUILT-IN OVEN WITH STEAM FUNCTION, 60 X 60 CM, FLEX DESIGN
B69FY5CY0A



If the appliance will be installed underneath a hob, the following worktop thicknesses (including substructure if necessary) must be taken into account.

Hob type	min. worktop thickness	
	fitted	flush
Induction hob	37 mm	38 mm
Full surface Induction hob	47 mm	48 mm
Gas hob	30 mm	38 mm
Electric hob	27 mm	30 mm