



RC472504

RA430100:  
Storage container with lid, anthracite

RA421710:  
SS door 76,2cm / 30"

RA423140:  
Side trims, long

RA425110:  
Vario SS handle 1131 mm

RA428710:  
SS door w/o handle 76,2cm / 30"

RA460000:  
Installation kit SxS

RA460013:  
Heating side kit 230V

RA464711:  
Ventilation grille 76.2cm/30" w/o filter

Refrigerator 400 series  
212.5 x 75.6 cm, soft close flat hinge  
RC472504

- The opening assistance for handle and handleless options reveals a stainless steel interior with glare-free lighting and discreet shelving rails, movable door racks.
- Humidity Adjustable Drawer
- Fresh cooling drawer close to 0 °C
- Glare-Free LED Light Spots
- TFT Touch Display
- Total volume 467 l.

Stainless steel interior with solid anthracite aluminium elements

4 brilliant LED light spots with warm white, glare-free light (3500 K) within cooling area and drawers.

Opening assist for door with two options:

1. Push-to-open function for integration into handleless furniture front
2. Pull-to-open function to facilitate opening the door using a handle

The drawers in the RC and RF models are positioned at the same height. With side-by-side installation, the glass shelves can be aligned on the same level

Flat stainless steel inner door, full-length  
Almost invisible rail system for shelves and door racks for flexible positioning

Solid anthracite aluminium door racks  
1 fresh cooling drawer 0 °C with temperature control from -1 °C to +3 °C and one fresh cooling drawer with manually adjustable humidity  
TFT touch display

#### Handling

TFT touch display operation.  
Clear text display.

#### Technical Features

Dynamic cold air distribution.  
Automatic defrosting with defrost water evaporation.  
Cushioned door closing system.  
Activated charcoal air filter.  
Rest mode certified by Star-K.  
When rest mode is active, the appliance can only be opened using a handle.  
Open-door and malfunction alarm.

#### Cooling

Temperature adjustable from +2 °C to +8 °C.  
1 shallow, fully extendable drawer with transparent front.  
Flat door rail system with fully flexible positioning of door racks.  
4 height-adjustable door racks, 1 of which is extra deep.  
Fast cooling.  
398 l

#### Fresh cooling 0 °C

1 large, fully extendable fresh cooling 0 °C drawer with transparent front, illuminated.  
Temperature control via central TFT display, temperature can be adjusted from -1 °C to +3 °C.  
Ideal for meat, fish and poultry.

69 l

#### Fresh cooling

1 fully extendable fresh cooling drawer with transparent front, illuminated.  
Humidity can be adjusted manually.  
Ideal for fruit and vegetables.

#### Consumption data

4,5 Star (AU).  
Energy consumption 179 kWh/year.  
Noise level 40 dB (re 1 pW).

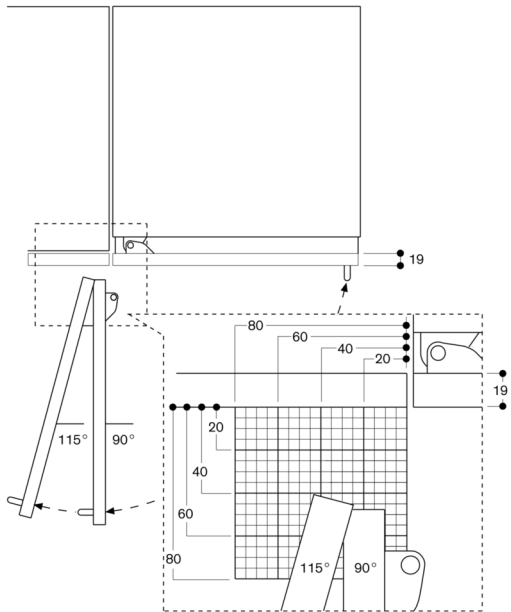
#### Planning notes

Flat hinge.  
Door hinge right, reversible.  
Door opening angle of 115°, fixable at 90°.  
Max. door panel weight 25 kg.

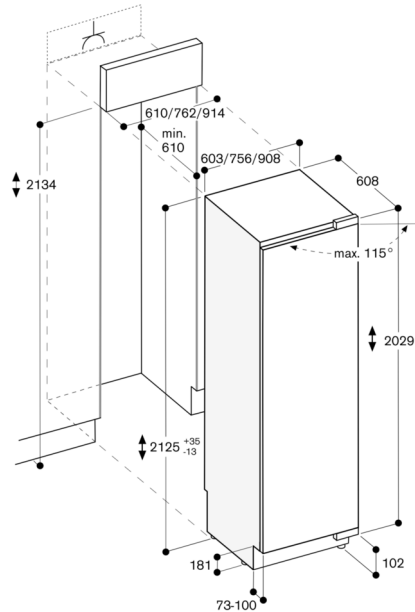
#### Connection

Total connected load 0.300 KW.  
Connecting cable 3.0 m with plug.

Door opening angle

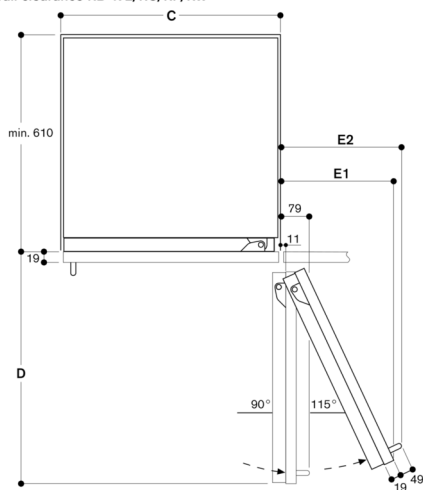


The hinge travel and resulting clearances from adjacent furniture units and handles can be found from the drawing while allowing for the thickness of the front panel. In the drawing, a furniture unit front panel thickness of 19 mm was assumed.



The maximum door panel dimensions are based on a clearance of 3 mm.

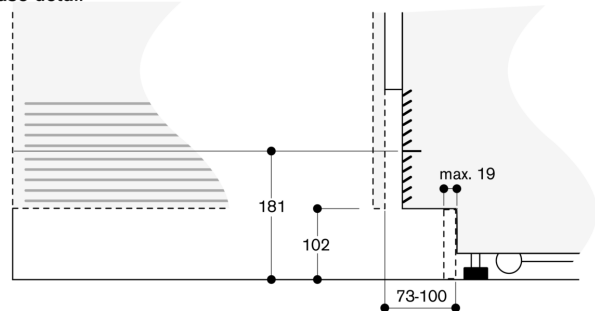
Wall clearance RB 472/RC/RF/RW



Recess width	D	E1	E2	
C	457 mm	525 mm	235 mm	265 mm
	610 mm	677 mm	299 mm	330 mm
	762 mm	830 mm	364 mm	395 mm
	914 mm	980 mm	428 mm	460 mm

In the drawing, a unit front thickness of 19 mm and a Gaggenau unit handle of 49 mm were taken as a basis.

Base detail



Based on the standard appliance height, the height of the plinth is 102 mm. Maximum plinth thickness 19 mm.

