

iQ700 Single oven with pulseSteam HR876G8B6A



**reddot design award
winner 2018**

Shorten your cooking time thanks to fast preheat and activeClean®.

- ✓ The pulseSteam function: for crispy crusts and juicy roasts.
- ✓ TFT Touchdisplay: user-friendly menu navigation with good display features.
- ✓ roastingSensor Plus: simply reliable roasting.
- ✓ activeClean: the automatic system for effortless cleaning.
- ✓ fast preheat: reach the required baking temperature sooner; coolStart: no need to preheat the oven for deep frozen food.

Features

Technical Data

Color / Material Front : Black
 Built-in / Free-standing : Built-in
 Integrated Cleaning system : Pyrolytic
 Required niche size for installation (HxWxD) : 585-595 x 560-568 x 550
 Dimensions of the product (mm) : 595 x 594 x 548
 Dimensions of the packed product (HxWxD) (mm) : 675 x 690 x 660
 Control Panel Material : Glass
 Door Material : Glass
 Net weight (kg) : 44.368
 Usable volume of cavity (l) : 71
 Cooking method : , 4D hot air, Bottom heat, Conventional heat, Deep-frozen food special, Full width grill, Half width grill, Hot Air-Eco, Hot air grilling, low temperature cooking, Pizza setting, pre-heating, warming
 First cavity material : Enamelled
 Temperature control : electronic
 Number of interior lights : 1
 Approval certificates : CE, VDE
 Length electrical supply cord (cm) : 120
 EAN code : 4242003839249
 Number of cavities (2010/30/EC) : 1
 Energy efficiency class (2010/30/EC) : A
 Energy consumption per cycle conventional (2010/30/EC) : 0.90
 Energy consumption per cycle forced air convection (2010/30/EC) : 0.74
 Energy efficiency index (2010/30/EC) : 87.1
 Electrical connection rating (W) : 3600
 Current (A) : 16
 Voltage (V) : 220-240
 Frequency (Hz) : 50; 60
 Plug type : no plug

Included accessories

- 1 x grill tray
- suit. pyrol. clean.
- 2 x combination grid
- 1 x universal pan

Optional accessories

- HZ636000 Glass pan
- HZ633070 Professional pan, anthracite enamelled
- HZ633001 Lid for professional pan, enamelled anth
- HZ632070 Multipurpose pan, anthracite enamelled
- HZ631070 Baking tray, anthracite enamelled
- HZ625071 Grill tray, anthracite enamelled
- HZ617000 Pizza pan, anthracite enamelled
- HZ327000 Baking stone



iQ700

Single oven with pulseSteam

HR876G8B6A

Features

Design

- black Steel Design
- Cavity volume: 71 net usable litres
- Location of the steam generator is outside of the cavity
- Rotary Control
- Anthracite enamel cavity with 5 shelf levels
- LED lighting

Heating Functions

- Temperature range 30 °C - 300 °C
- Oven with 13 heating methods:
- 4D HotAir
- 4D HotAir Eco
- Top/ bottom heating
- Top/bottom heating Eco
- Hot air grilling
- Full width grill
- Half width grill
- Pizza setting
- coolStart (deep-frozen food special)
- Bottom heating
- Low temperature cooking
- Plate warming setting
- Keep Warm
- Additional heating methods with steam: Reheating, Dough Proving
- Rapid heating-up

Convenience

- 3.7" TFT TouchDisplay
- Temperature proposal
- Actual temperature display
- Actual temperature display
- Sabbath setting
- Meals (automatic programs)
- roastingSensor with three measuring points
- Electronic clock and timer
- Large 1 litre water tank
- Water tank empty indicator
- Drop down oven door, SoftMove oven door with soft open and soft close, SoftOpen
- Info button
- Bar handle

Cleaning

- activeClean® – automatic self-cleaning function with automatic safety door lock
- Pyrolytic proof trayholder and baking tray
- Additional functions:
- Descaling program
- Drying function
- Full glass inner door

Hook-in racks / rails

- 3 level telescopic shelf rails, full extension, with safety stop function, pyrolytic proof

Safety and Environment

- Maximum door temperature 30° C
- door lock electrical

- Child lock for settings
- Automatic safety switch-off function
- Residual heat indicator
- start button
- Door contact switch
- Integrated cooling fan

Technical Info

- Appliance dimensions (HxWxD): 595 mm x 594 mm x 548 mm
- Installation dimensions (HxWxD): 585 mm - 595 mm x 560 mm - 568 mm x 550 mm
- Total connected load electric: 3.6 KW
- Length of mains cable: 120 cm
- Nominal voltage: 220 - 240 V
- Please reference the built-in dimensions provided in the installation drawing

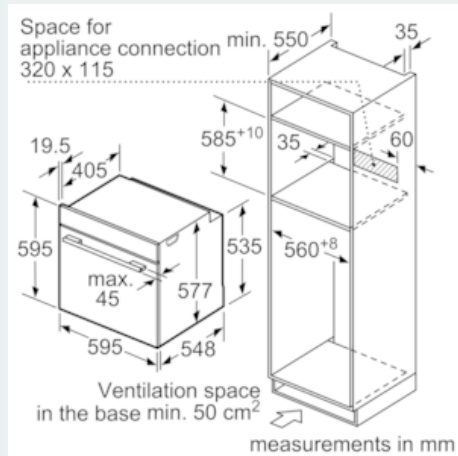
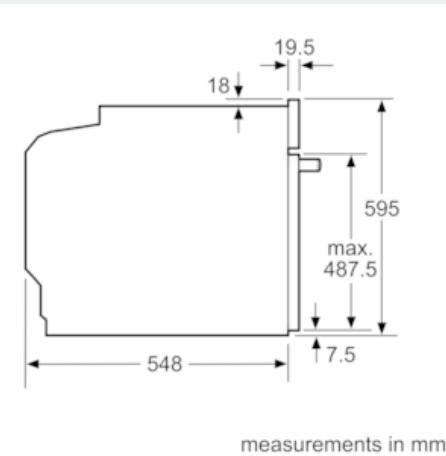
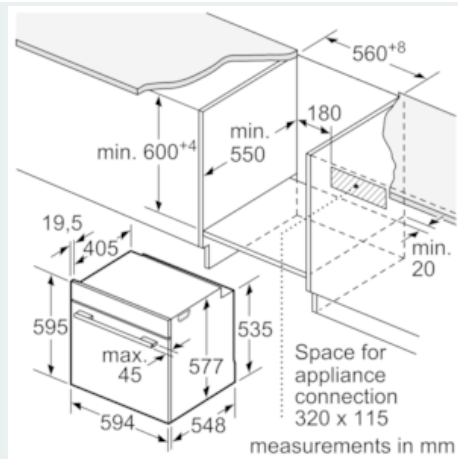
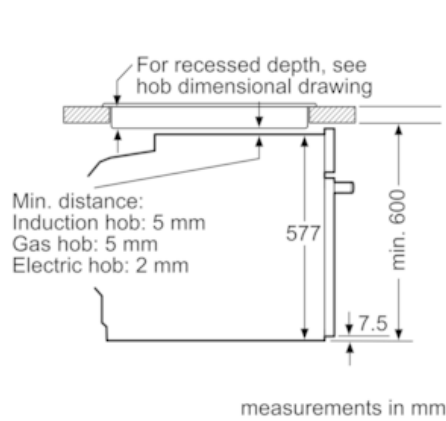
Accessories

- 1 x grill tray, suit. pyrol. clean., 2 x combination grid, 1 x universal pan

iQ700
Single oven with pulseSteam
HR876G8B6A

Dimensioned drawings

Installation with a hob.



If the appliance will be installed underneath a hob, the following worktop thicknesses (including substructure if necessary) must be taken into account.

Hob type	min. worktop thickness	
	fitted	flush
Induction hob	37 mm	38 mm
Full surface Induction hob	47 mm	48 mm
Gas hob	30 mm	38 mm
Electric hob	27 mm	30 mm