

Serie | 6 Hoods
DHL575CAU
52 cm Integrated Rangehood

C

The integrated rangehood: offers a sleek and seamless design in the kitchen with fully integrated installation.

- **Extraction rate:** at 610 m³/h, it quickly ensures optimal kitchen air quality.
- **LED lighting:** for perfect, energy-efficient illumination of the cooktop.
- **Intensive speed setting with reset:** automatically resets the hood to regular speed setting after 6 min.
- **Especially quiet:** just 63 dB (450 m³/h / level 2) - 150 mm ducted.

Technical Data

Typology :	Traditional
Approval certificates :	, CE
Length electrical supply cord (cm) :	150
Required niche size for installation (HxWxD) :	418mm x 496mm x 264mm
Minimum distance above an electric hob :	500
Minimum distance above a gas hob :	650
Net weight (kg) :	10.0
Type of control :	Electronic
Number of speed settings :	3
Maximum output air extraction (m ³ /h) :	560
Boost position output recirculating (m ³ /h) :	300
Maximum output recirculating air (m ³ /h) :	290
Boost position air extraction (m ³ /h) :	610
Number of lights :	2
Noise level (dB) :	67
Diameter of air outlet (mm) :	150 / 120
Grease filter material :	Washable aluminium
EAN code :	4242005039876
Connection Rating (W) :	252
Current (A) :	3
Voltage (V) :	220-240
Frequency (Hz) :	50
Plug type :	AU plug
Installation typology :	Built-in



4 242005 039876

Optional accessories

- DHZ5316 : Active carbon filter
- DHZ5605 : Recirculating kit

Serie | 6 Hoods

DHL575CAU

52 cm Integrated Rangehood

The integrated rangehood: offers a sleek and seamless design in the kitchen with fully integrated installation.

Design & Innovation

- 52 cm Integrated Rangehood
- Appliance colour: Stainless steel
- Rim ventilation

Power and Mode of Operation

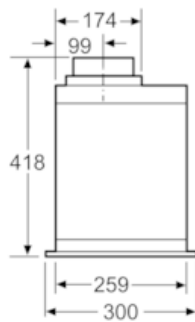
- 3 power settings plus intensive setting
- Extraction rate according to EN 61591 \varnothing 15 cm:
max. Normal use 560 m³/h
Intensive 610 m³/h
- Noise min./max. Normal Level: 50/67 dB
Noise max. Intensive setting: 70 dB
- Ducted and recirculated-air operation
- Twin channel high performance fan motor

Comfort & Convenience

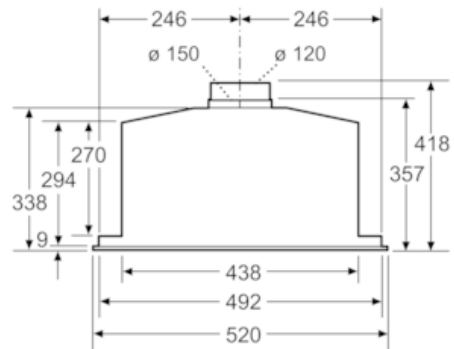
- Intensive operation automatic revert - 6min
- Noise level according to EN 60704-3 und EN 60704-2-13
exhaust air:
Max. normal use: 67 dB(A) re 1 pW (53 dB(A) re 20 μ Pa sound pressure)
Intensive: 70 dB(A) re 1 pW (56 dB(A) re 20 μ Pa sound pressure)
- Electronic controls with green, orange, red Electronic display
- 2 x 1 Watt LED lights
- Dishwasher safe metal grease filters
- Accessories required for recirculation mode: Charcoal filter
- 2 year warranty

Dimensions (HxWxD)

- Power rating: 252 W
- Dimensions recirculating (HxWxD): 418-418 x 520 x 300 mm
- Dimensions exhaust air (HxWxD): 418-418 x 520 x 300 mm
- Built-in dimensions (HxWxD): 418 x 496 x 264 mm
- Diameter pipe \varnothing 150 mm (\varnothing 120 mm enclosed)

Serie | 6 Hoods**DHL575CAU**
52 cm Integrated Rangehood

measurements in mm



measurements in mm