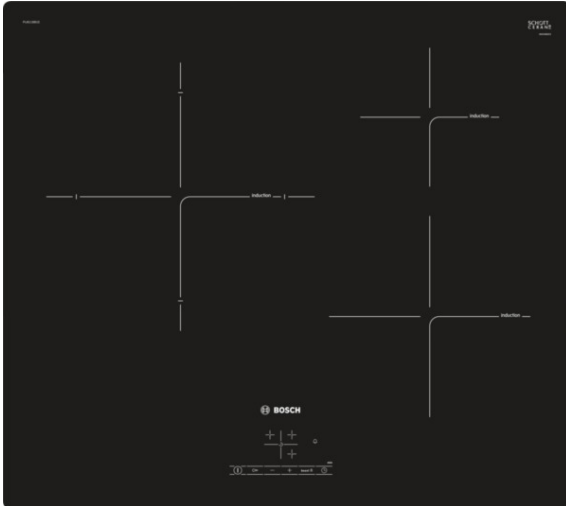


**Serie | 4 Hobs**
**PIJ611BB1E  
60 cm Induction Cooktop**

**The induction cooktop: cook fast, clean and safely while using very little energy.**

- **TouchSelect:** Selection of the desired cooking zone and easy setting of the desired power level.
- **Large 280 mm cooking zone:** Cooking zone for large pots and pans.
- **Timer with switch-off function:** Conveniently turns off the assigned cooking zone after the set time.
- **PowerBoost:** Up to 50% more power for faster heating.

**Technical Data**

Product name/family :	Cooking zone ceramic
Construction type :	Built-in
Energy input :	Electric
Total number of positions that can be used at the same time :	3
Type of control setting devices :	EasyTouch
Required niche size for installation (HxWxD) :	51 x 560-560 x 490-500
Width of the product (mm) :	592
Dimensions of the product (mm) :	51 x 592 x 522
Net weight (kg) :	12.0
Gross weight (kg) :	13.0
Residual heat indicator :	Separate
Location of control panel :	Hob front
Basic surface material :	Ceramic
Color of surface :	Black
Approval certificates :	AENOR, CE
Length electrical supply cord (cm) :	110
Sealed Burners :	No
heating with booster :	All
Power of 2nd heating element (kW) :	2.6
Power of 3rd heating element (kW) :	1.4
Power of 4th heating element (kW) :	2.2
Power of 2nd heating element (kW in boost) :	3.7
Power of 3rd heating element (kW in boost) :	2.2
Power of 4th heating element (kW in boost) :	3.7
Electrical connection rating (W) :	7400
Voltage (V) :	220-240
Frequency (Hz) :	50; 60
Main colour of product :	Black
Energy input :	Electric
Approval certificates :	AENOR, CE
Plug type :	no plug
Required cutout/niche size for installation (in) :	x x
Appliance Dimensions (h x w x d) (in) :	+ x x
Dimensions of the packed product (in) :	4.96 x 23.74 x 29.64
Net weight (lbs) :	26
Gross weight (lbs) :	29
Total number of positions that can be used at the same time :	3
Length electrical supply cord (cm) :	110
Required niche size for installation (HxWxD) :	51 x 560-560 x 490-500
Dimensions of the product (mm) :	51 x 592 x 522
Net weight (kg) :	12.0
Gross weight (kg) :	13.0


**Optional accessories**

HEZ390042 : set of 3 pots + 1 pan for induction hob

## Serie | 4 Hobs

### PIJ611BB1E

#### 60 cm Induction Cooktop

**The induction cooktop: cook fast, clean and safely while using very little energy.**

---

##### **Design**

- Frameless
- 3 induction cooking zones
- Electronic TouchSelect +/- controls

##### **Size & Power**

- 17 power levels for each cooking zone
- Cooking zone rear left:
  - 280 mm
  - 2.6 kW / 3.7 KW with powerBoost
- Cooking zone front right:
  - 210 mm
  - 2.2 kW / 3.7 KW with powerBoost
- Cooking zone rear right:
  - 145 mm
  - 1.4 KW / 2.2 KW with powerBoost

##### **Comfort & Convenience**

- Timer with automatic switch off for all zones
- PowerBoost function - reduce the time to heat up large quantities of water
- QuickStart - Quick and automatic first pot detection
- ReStart - Quickly reinstates previous settings

##### **Safety and Environment**

- Digital 2-stage residual heat indicator for each cooking zone
- Childproof lock
- Automatic safety switch-off
- Integrated cooling fan
- 2 year warranty

##### **Dimensions (WxD)**

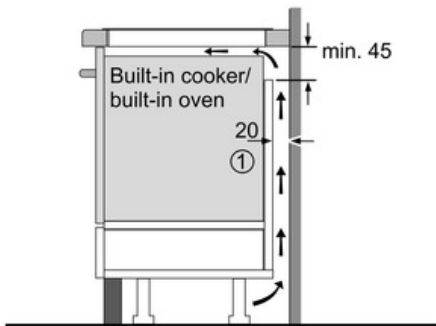
- Appliance dimensions: (W x D) 592 mm x 522 mm
- Installation dimensions: (H x W x D) 51 mm x 560 mm x 490 mm

##### **Technical Information**

- 7.4 kW total connected load
- Min. worktop thickness: 30 mm

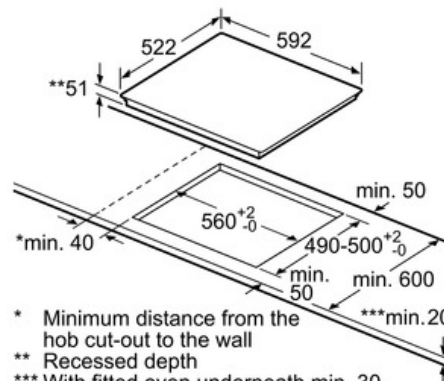
Serie | 4 Hobs

**PIJ611BB1E**  
60 cm Induction Cooktop



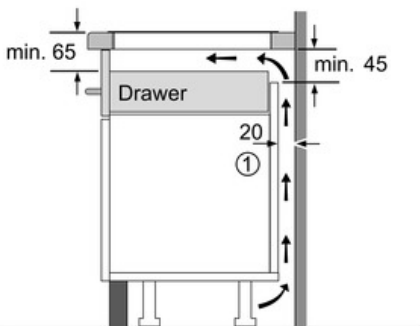
① Ventilation gap must be present

All measurements in mm



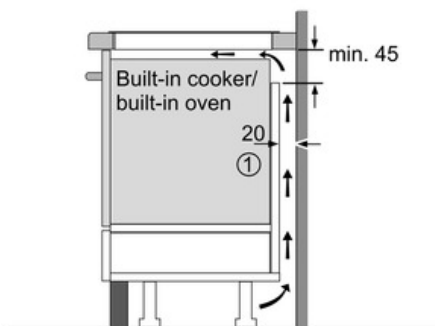
\* Minimum distance from the hob cut-out to the wall  
 \*\* Recessed depth  
 \*\*\* With fitted oven underneath min. 30, possibly more; see space requirements for the oven

measurements in mm



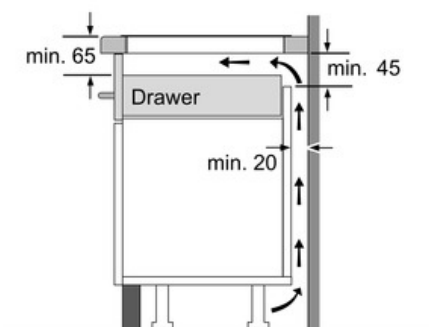
① Ventilation gap must be present.

Measurements in mm



① Ventilation gap must be present

All measurements in mm



Measurements in mm