

Serie | 8 Microwave oven

Compact oven with microwave CMG633BS1B - Black, Stainless Steel



The compact oven with microwave function: enables you to achieve perfect baking and roasting results very quickly.

- **TFT display control:** easy-to-use thanks to the control ring with clear text and touch symbols.
- **Microwave function:** for quick warming up or for fast cooking in combination with hot air.
- **AutoPilot 14:** every dish is a perfect success thanks to the 14 pre-set automatic programs.
- **LED lighting:** perfect illumination of foods with minimum energy consumption.
- **SoftMove door with SoftOpen and SoftClose:** the oven door opens and closes especially gently and quietly.

Technical Data

Type of micro-wave oven :	MW-Combi
Type of control :	Electronic
Color / Material Front :	Stainless steel
Dimensions of the product (mm) :	455 x 595 x 548
Cavity dimensions (mm) :	237.0 x 480 x 392.0
Length electrical supply cord (cm) :	120
Net weight (kg) :	35.0
Gross weight (kg) :	37.0
Maximum micro-wave power (W) :	1000
Connection Rating (W) :	3650
Current (A) :	16
Voltage (V) :	220-240
Frequency (Hz) :	60; 50
Plug type :	no plug

Included accessories

- 1 x combination grid
- 1 x universal pan



Optional accessories

HEZ324000 Inlaid wire shelf for multipurpose pan, HEZ327000 Pizza stone, HEZ617000 Pizza pan, HEZ625071 Grill tray, enamelled, HEZ631070 Enamelled baking tray, HEZ632070 Multipurpose pan, enamelled, HEZ633070 Professional pan, enamelled, HEZ634080 Baking and roasting grid (microwave), HEZ636000 Glass pan, HEZ660060 Strip, HEZ915001 Glass roasting dish, 5,1 L

Serie | 8 Microwave oven

Compact oven with microwave CMG633BS1B - Black, Stainless Steel

- Length of mains cable: 120 cm

**The compact oven with microwave function:
enables you to achieve perfect baking and
roasting results very quickly.**

Heating Functions

- Compact oven with microwave with 6 heating methods:
 - 4D HotAir
 - 4D HotAir Eco
 - Hot air grilling
 - Full width grill
 - Half width grill
 - Preheat ovenware
- Additional heating methods with microwave: Pure microwave, Combination microwave and conventional oven
- Max. Power: 1000 W; 5 Microwave power settings (90 W, 180 W, 360 W, 600 W, 1000 W) with Inverter (MW)
- Temperature range 30 °C - 275 °C

Sensor and Automatic Functions

- AutoPilot: 14 automatic programs

Design

- Full Color TFT Touch Symbol Display
- Bosch Control Ring
- SoftMove oven door with soft open and soft close
- Rapid heating-up
- LED lighting
- Cavity volume: 45 net usable litres
- Anthracite enamel cavity with 3 shelf positions

Convenience

- Automatic temperature proposal
 - Actual temperature display
 - Residual heat indicator
- Electronic clock/timer with end time programming
- Info button

Safety and Environment

- Child lock function
 - Residual heat indicator
 - Automatic safety switch off function
- Cooling fan

Accessories

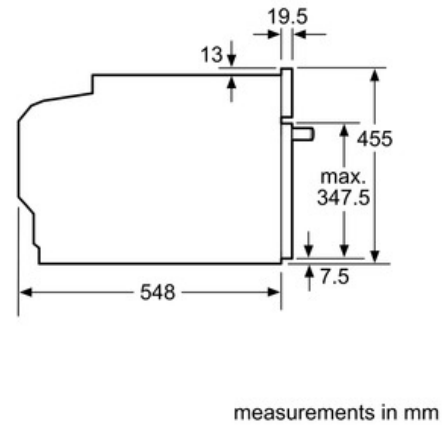
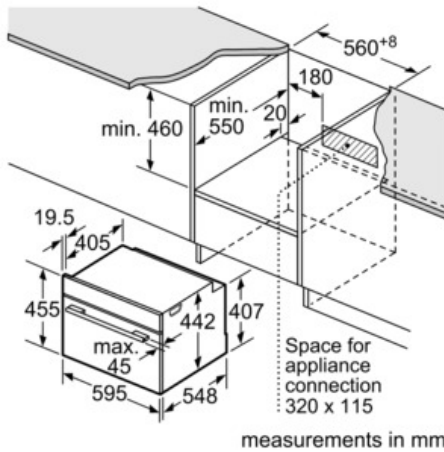
- 1 x combination grid, 1 x universal pan

Technical Info

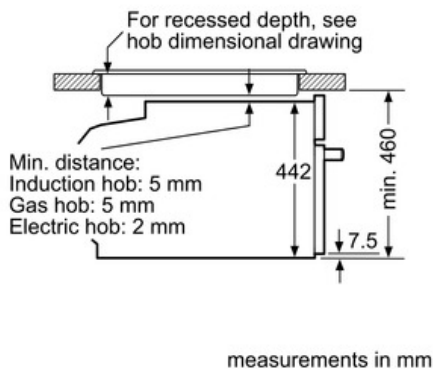
- Appliance dimensions (HxWxD): 455 mm x 595 mm x 548 mm
- Installation dimensions (HxWxD): 450 mm - 455 mm x 560 mm - 568 mm x 550 mm
- Total connected load electric: 3.65 KW

Serie | 8 Microwave oven

Compact oven with microwave CMG633BS1B - Black, Stainless Steel



Installation with a hob.



If the compact appliance will be installed underneath a hob, the following worktop thicknesses (including substructure if necessary) must be taken into account.

Hob type	min. worktop thickness	
	fitted	flush
Induction hob	42 mm	43 mm
Full surface induction hob	48 mm	53 mm
Gas hob	37 mm	47 mm
Electric hob	28 mm	30 mm

