

Serie | 6 Cookers
HSB738357A
90 cm Dual Fuel Range Cooker

The electric Range Cooker with up to 8 heating modes and gas cooktop: lets you cook like a professional.

- **Dual wok burner:** powerful cooking at up to 14 MJ/h.
- **Continuous cast-iron pan support with rubber feet:** for maximum stability.

Technical Data

Built-in / Free-standing :	Free-standing
Color / Material Front :	Stainless steel
Dimensions of the product (mm) :	900 x 898 x 600
Length electrical supply cord (cm) :	120
Net weight (kg) :	78.0
Gross weight (kg) :	87.0
Cooking method :	, , Circulating air, Full-surface grill/broiler, Hot air grill, Hot Air Standard, rotisserie, Top/bottom heat
Integrated Cleaning system :	No
Included accessories cavity 1 :	
2 x enamel baking tray, 1 x rotary spit, 1 x cross support for espresso, 1 x governor 10mbar NG (AU), 2 x grill shelf, 1 x telescopic rack, 1 x WOK attachment ring	
Storage compartment - cavity 1 :	No
Type of pan support :	Elongated cast iron pan support
Broil Element Wattages cavity 1 (W) :	2900
Convection Element Wattages cavity 1 (W) :	3100
Power of 1st heating element (kW) :	3.9
Power of 2nd heating element (kW) :	1.95
Power of 3rd heating element (kW) :	1.1
Electrical connection rating (W) :	3200
Current (A) :	16
Voltage (V) :	220-240
Frequency (Hz) :	50; 60
Plug type :	AU plug
Color / Material Front :	Stainless steel
Gas type :	Nat gas 10 mbar (Australien)
Approval certificates :	, ,
Appliance Dimensions (h x w x d) (in) :	x x
Gross weight (lbs) :	192
Length electrical supply cord (cm) :	120
Dimensions of the product (mm) :	900 x 898 x 600

Included accessories

2 x enamel baking tray, 1 x rotary spit, 1 x cross support for espresso, 1 x governor 10mbar NG (AU), 2 x grill shelf, 1 x telescopic rack, 1 x WOK attachment ring



4 242002 933160

Serie | 6 Cookers**HSB738357A****90 cm Dual Fuel Range Cooker**

The electric Range Cooker with up to 8 heating modes and gas cooktop: lets you cook like a professional.

COOKTOP**Design**

- Gas cooktop including 1 Dual wok burner

Size & Power

- Rear left: Standard burner 7 Mj/h
- Front left: Wok burner 14 Mj/h
- Center rear: Economy burner 4 Mj/h
- Centre front: High-speed burner 12 Mj/h
- Rear right: Standard burner 7 Mj/h
- Front right: Economy burner 4 Mj/h

Comfort & Convenience

- One-hand electronic ignition via controls
- Enamelled cast-iron trivets with rubber feet

Safety and Environment

- Flame failure device fitted to each individual burner

OVEN**Size & Power**

- Extra large capacity oven (112 l) with grey enamel
- 8 cooking functions:
 - Fan forced hot air
 - Fan assisted top/bottom heating
 - Top/bottom heating
 - Fan assisted top/bottom heating
 - Hot air grilling
 - Grill - large area

Cleaning

- Catalytic oven cavity (rear and side walls)

Comfort & Convenience

- Electronic clock/timer with LED display
- Telescopic extension rail x 1
- Number of oven lights: 2 PC
- Storage compartment
- Height adjustable legs by: 50 mm

Safety and Environment

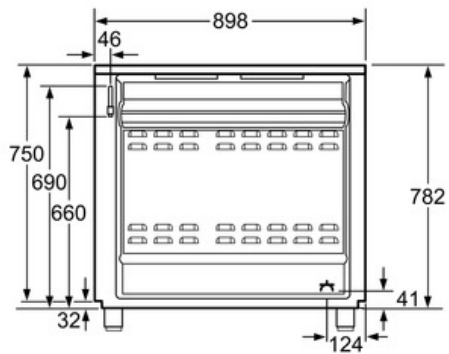
- Triple glazed door
- 2 year warranty

Accessories

- Included accessories:
 - 2 x enamel baking tray
 - 1 x rotary spit
 - 1 x cross support for espresso
 - 1 x governor 10mbar NG (AU)
 - 2 x grill shelf
 - 1 x telescopic rack
 - 1 x WOK attachment ring

Technical Info

- Appliance dimensions (HxWxD): 900 mm x 898 mm x 600 mm
- Total connected load electric: 3.2 KW
- Length of mains cable: 120 cm
- Suitable for natural gas and LPG

Serie | 6 Cookers**HSB738357A****90 cm Dual Fuel Range Cooker**

measurements in mm