

Stainless steel built-under



| SPU68M05AU | |
|-------------------------------------|----------------------------------------------------------------------------------------------------------------------------------------------------------------------------------------------------------------------------------------------------------------------------------------------------------------------------------------------------------------------------------------------------------------------------------------------------------------------------------------------------------------------------------------------------------------------------------------------------------------------------------------------------------------------------------------------------------------------------------------------------------------------------------------------------------------------------------------------------------------------------------------------------------------------------------------------------------------------------------------------------------------------------------------------------------------------------------------------------------------------------------------------------------------------------------------------------------------------------------------------------------------------------------------|
| | |
| Alternative colors available | Stainless steel(SPU68M05AU) |
| Characteristics | <p>Capacity 11 international place settings</p> <p>Consumption rates (based on Economy 45 °C program)</p> <p>Design Stainless steel built-under</p> <p>Wash Programs 6 Wash Programs: - Pots and Pans 70 °C - Auto 45-65 °C - Economy 45 °C - Glass 40 °C - Quick 45 °C - Pre-rinse</p> <p>Performance EcoSilence Drive DuoPower double spray arm VarioSpeed™ - express wash option IntensiveZone wash option AquaSensor™ technology Load Sensor DosageAssist detergent system Auto Brilliance - automatic detergent sensor Alternating spray-arm washing 5 Spray levels Advanced filter system</p> <p>Flexibility VarioFlex® baskets Folding racks in lower and upper baskets VarioDrawer third loading level RackmaticPlus™ - 3 stage height-adjustable upper basket</p> <p>Convenience Very quiet operation - 46dB Time remain display Time delay start (1-24 hours) Electronic rinse aid and refill indicator Effortless door closing Front-adjustable rear foot</p> <p>Safety AquaStopPlus anti-flood protection Child door lock Button child lock 815-875 x 448 x 573 mm</p> |

Technical Data



SPU68M05AU

Characteristics

Water consumption (l) : 10.90
Built-in / Free-standing : Built-in
Removable top : No
Door panel options : Not possible
Height of removable worktop (mm) : 815
Height of the product (mm) : 815
Width of the product (mm) : 448
Depth of the product : 573
Depth with open door 90 degree (mm) : 1150
Minimum height for installation (mm) : 815
Maximum height for installation (mm) : 875
Minimum width for installation (mm) : 450
Maximum width for installation (mm) : 450
Depth for installation (mm) : 550
Maximum adjustability feet (mm) : 60
Net weight (kg) : 34.000
Gross weight (kg) : 36.000
Connection Rating (W) : 2400
Current (A) : 10
Voltage (V) : 220-240
Frequency (Hz) : 50; 60
Length electrical supply cord (cm) : 175
Plug type : AU plug
Length inlet hose (cm) : 165
Length outlet hose (cm) : 205.0
Hidden heating element : Yes

Consumption and connection features

Number of place settings : 11
Energy consumption (kWh) : 0.56
Power consumption in left-on mode - NEW (2010/30/EC) : 0
Power consumption in off-mode - NEW (2010/30/EC) : 0
Reference programme : Economy
Total cycle time of reference programme (min) : 130
Duration of the left-on mode - NEW (2012/30/EC) (min) : 0
Installation typology : Built-under

2014-09-16

Optional accessories

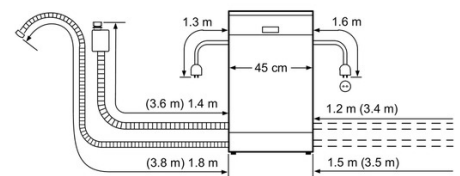
SGZ1010 inlet and outlet hose extension
SMZ5000 Dishwashing aid set
SMZ5001 Baby care kit
SMZ5005 Compensating + fixing kit, stainl. steel
SMZ5300 GlassSecure Tray

Included accessories

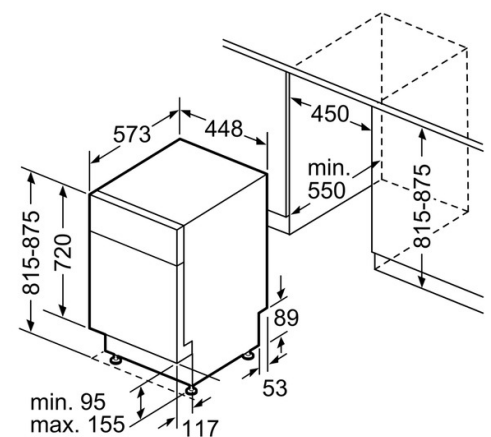
vapor barrier plate

EAN code

4242002818252



() values with extension kit



measurements in mm