

**iQ500**  
**LB57574AU**  
**52 cm Fully integrated rangehood**



The powerful canopy rangehood is concealed above the cooktop.

The powerful canopy rangehood is concealed above the cooktop.

- ✓ The highly efficient 610 m<sup>3</sup>/h extraction rate provides ideal air quality in the kitchen.
- ✓ The energy saving LED lighting with dimmer function ensures ambient lighting and optimal visibility when cooking.
- ✓ The intensive setting temporarily increases the extraction rate when kitchen vapour is especially intense, with automatic revert to previous setting after 6 min.
- ✓ 63 dB (450 m<sup>3</sup>/h) - 150mm ducted.

### Features

#### Technical Data

Typology : Traditional  
 Approval certificates : , CE, VDE  
 Length electrical supply cord (cm) : 150  
 Required niche size for installation (HxWxD) : 418mm x 496mm x 264mm  
 Minimum distance above an electric hob : 500  
 Minimum distance above a gas hob : 650  
 Net weight (kg) : 9.0  
 Type of control : Electronic  
 Number of speed settings : 3  
 Maximum output air extraction (m<sup>3</sup>/h) : 560  
 Boost position output recirculating (m<sup>3</sup>/h) : 300  
 Maximum output recirculating air (m<sup>3</sup>/h) : 290  
 Boost position air extraction (m<sup>3</sup>/h) : 610  
 Number of lights : 2  
 Noise level (dB) : 67  
 Diameter of air outlet (mm) : 120 / 150  
 Grease filter material : Washable aluminium  
 EAN code : 4242003768266  
 Connection Rating (W) : 252  
 Current (A) : 3  
 Voltage (V) : 220-240  
 Frequency (Hz) : 50  
 Plug type : AU plug  
 Installation typology : Half-integrated



### Optional accessories

- |         |                      |
|---------|----------------------|
| LZ55750 | Recirculating kit    |
| LZ55651 | Active carbon filter |

# iQ500

## LB57574AU

### 52 cm Fully integrated rangehood

#### Features

##### Design & Innovation

- slimLine design
- Stainless steel
- Electronic controls with low-lift push buttons
- 2 x 1 Watt LED lights
- metal grease filters with stainless steel cover

##### Convenience

- low-lift push buttons controls for power and light

##### Power and Mode of Operation

- Suitable for ducted and re-circulating operation
- Accessories required for recirculation mode: Charcoal filter
- Extraction rate according to EN 61591 ø 15 cm:  
max. Normal use 560 m<sup>3</sup>/h  
Intensive 610 m<sup>3</sup>/h
- 3 power levels plus intensive setting
- Intensive operation automatic revert - 6min
- Rim ventilation
- Twin channel high performance fan motor

##### Cleaning

- Dishwasher safe metal grease filters
- Cassette with alu frame

##### Safety and Quality

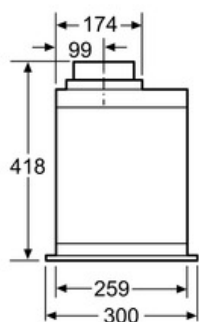
- Noise level according to EN 60704-3 und EN 60704-2-13 exhaust air:  
Max. normal use: 67 dB(A) re 1 pW (53 dB(A) re 20 µPa sound pressure)  
Intensive: 70 dB(A) re 1 pW (56 dB(A) re 20 µPa sound pressure)

##### Dimensions (HxWxD)

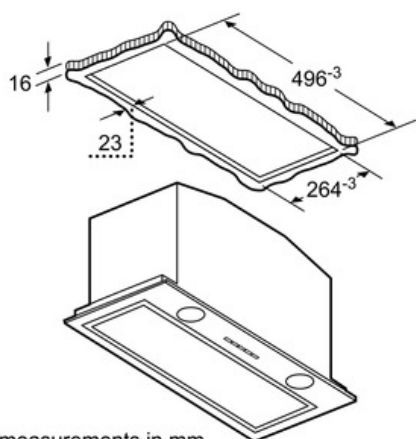
- For installation in a kitchen cabinet
- 120 or 150 mm tube connection diameter
- Appliance dimensions (HxWxD): 418 x 520 x 300 mm
- Built-in dimensions (HxWxD): 418 x 496 x 264 mm
- Electrical cable length 1.5 m
- Power rating: 252 W

**iQ500**  
**LB57574AU**  
**52 cm Fully integrated rangehood**

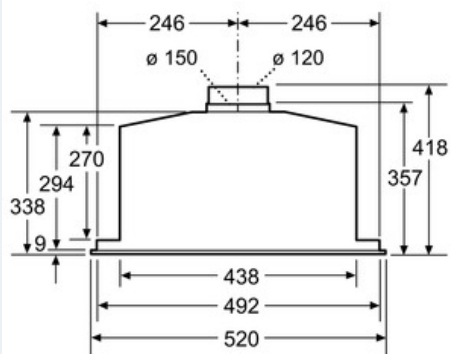
Dimensioned drawings



measurements in mm



measurements in mm



measurements in mm