

## 90 cm Wall Mounted Canopy Rangehood

### LC98BD542P



#### Power and Mode of Operation

- 860 m<sup>3</sup>/h max. extraction rate
- iQ Drive BLDC brushless motor
- 3 power levels + 2 intensive levels
- Intensive operation automatic revert - 6min
- Automatic run on - 10 min
- Powerful single motor with twin fan
- Ducted or recirculating operation

#### Design & Innovation

- slimLine design
- Stainless steel
- softLight with dimming function
- 3 x 3 Watt LED Lights

#### Convenience

- Electronic controls with white LED display
- Saturation display for filters

#### Cleaning

- Dishwasher safe metal grease filters
- Stainless steel filter covers, dishwasher safe

#### Safety and Quality

- 50 dB (380 m<sup>3</sup>/h) - 150 mm ducted
- Additional sound insulation mats for optimised sound absorption

#### Dimensions (HxWxD)

- Appliance width: 900 mm
- Appliance - Ducted: 642-954 x 900 x 500 mm
- Appliance - Recirculated with cleanAir module (HxWxD): 689 x 900 x 500 mm
- Diameter pipe Ø 150 mm (Ø 120 mm enclosed)
- Accessories required for recirculation mode: CleanAir Module

## Technical Data 1

### LC98BD542P

#### Characteristics

Color chimney : Stainless steel  
 Typology : Chimney  
 Approval certificates : CE, VDE  
 Length electrical supply cord (cm) : 130  
 Height of the chimney (mm) : 582-894/582-1004  
 Height of product, without chimney (mm) : 60  
 Net weight (kg) : 20.000  
 Type of control : electronical  
 Maximum output air extraction (m3/h) : 460  
 Boost position output recirculating (m3/h) : 460  
 Maximum output recirculating air (m3/h) : 360  
 Boost position air extraction (m3/h) : 860  
 Number of lights : 3  
 Diameter of air outlet (mm) : 150 / 120  
 Grease filter material : Washable stainless steel

#### Consumption and connection features

Connection Rating (W) : 169  
 Current (A) : 10  
 Voltage (V) : 220-240  
 Frequency (Hz) : 50-60  
 Plug type : Gurdy plug w/ earthing  
 Installation typology : Wall-mounted  
 2014-11-06

#### Alternative colors available

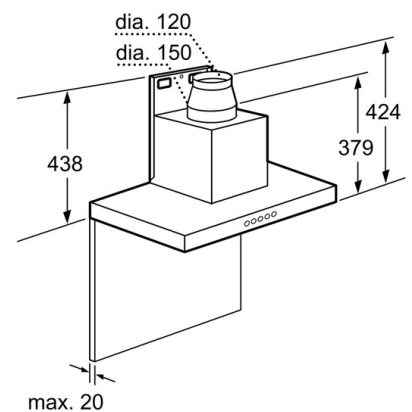
LC98BD542P:Stainless steel

#### Optional accessories

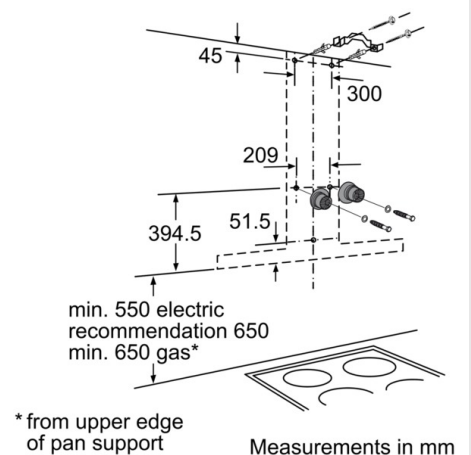
LZ57300 cleanAir Recirculation Kit

#### EAN code

4242003665909

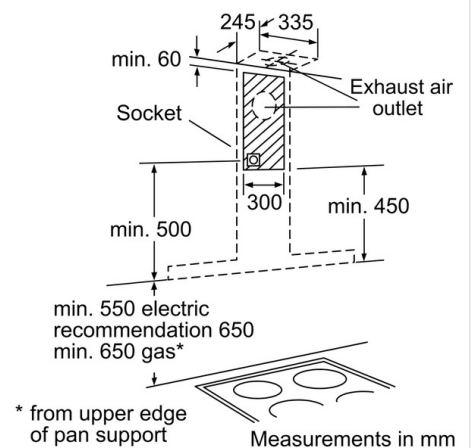


Measurements in mm



\* from upper edge of pan support

Measurements in mm

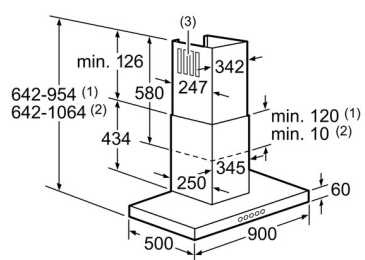


\* from upper edge of pan support

Measurements in mm

## Technical Data 2

### LC98BD542P



- (1) Exhaust air
- (2) Circulated air
- (3) Air outlet - install with vent at bottom for exhaust air

Measurements in mm