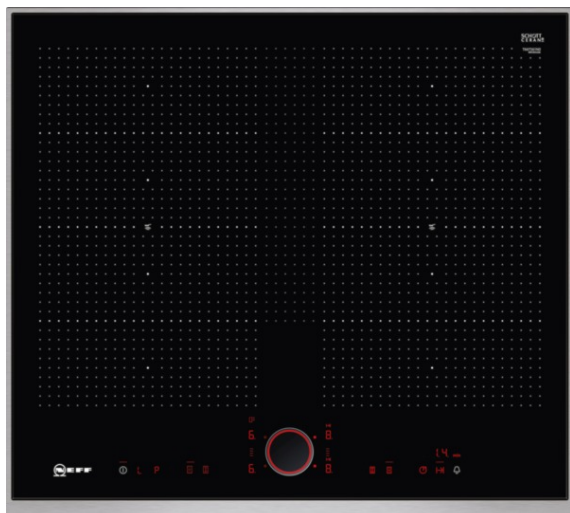


# T66TS61N0 FLEXINDUCTION COOKTOP WITH TWISTPAD® FIRE

## CONTROL



### Standalone FlexInduction cooktop with TwistPad® Fire control.

- ✓ Induction - With induction cooking, the heat is generated directly in the cookware for precise cooking that stops when power is off.
- ✓ FlexInduction - The FlexZone lets you place your pots and pans anywhere you want and heats them exactly where they stand.
- ✓ Extended FlexZone for even greater flexibility. Perfect for bigger pots and roaster.
- ✓ The TwistPad® Fire is a removable, magnetic, illuminated control knob that gives you precise, convenient control over all cooking zones. And to make things even easier, only the selectable functions are illuminated.
- ✓ PowerMove - The FlexZone is divided into three heating zones: boiling in front, simmering in the middle and warming in the rear.
- ✓ FryingSensor - The FryingSensor with 5 selectable temperature settings monitors the set temperature and holds it steady. So there's no more burning.
- ✓ PowerTransfer - When you reposition a pot on the extended FlexZone, your settings automatically follow the cookware.
- ✓ Stainless-steel flush-fitted trim

### Features

#### Technical Data

Product name/family : Cooking zone ceramic  
 Construction type : Built-in  
 Energy input : Electric  
 Total number of positions that can be used at the same time : 4  
 Type of control setting devices : Cylindrical controls, Twist pad flat  
 Required niche size for installation (HxWxD) : 56 x 560-560 x 490-500  
 Width of the product (mm) : 606  
 Dimensions of the product (mm) : 56 x 606 x 546  
 Net weight (kg) : 16.0  
 Gross weight (kg) : 17.0  
 Residual heat indicator : Separate  
 Location of control panel : Hob front  
 Basic surface material : Ceramic  
 Color of surface : Black, Stainless steel  
 Color of frame : Stainless steel  
 Approval certificates : AENOR, CE  
 Length electrical supply cord (cm) : 110  
 EAN code : 4242004191704  
 Electrical connection rating (W) : 7400  
 Voltage (V) : 220-240  
 Frequency (Hz) : 60; 50



### Optional accessories

Z9410X1	Induction roaster
Z9415X1	Steaming rack for Induction roaster
Z9417X2	Teppan Yaki (large)
Z9442X0	set of 3 pots + 1 pan for induction hob

# T66TS61NO

## FLEXINDUCTION COOKTOP WITH TWISTPAD® FIRE

### CONTROL

#### Features

##### Handling

- TwistPad® Fire

##### Flexibility

- 2 Flex zones + auxiliary zone
- Extended FlexInduction zone
- 4 induction zones
- Cooking zones:
  - 1 x Ø 380 mmx230 mm, 3.3 KW (max. Power level 3.7 KW) Induction or 2 x Ø 190 mm, 2.2 KW (max. Power level 3.7 KW) Induction;
  - 1 x Ø 380 mmx230 mm, 3.3 KW (max. Power level 3.7 KW) Induction or 2 x Ø 190 mm, 2.2 KW (max. Power level 3.7 KW) Induction
- 2 x FlexInduction with 2 Use options: 2 Individual-Induction-Cooking Zones with 190 mm surfaces or one flexible Induction-Cooking zone with 1 x Ø 380 mmx230 mm surface

##### Comfort & Convenience

- PotBoost function for all cooking zones
- PanBoost
- PowerMove
- PowerTransfer
- FryingSensor with 5 temperature settings
- 17 power levels for each cooking zone
- Residual heat indicator: Digital 2-step
- LED display and timer with auto switch off for all cooking zones
- Automatic safety switch-off
  - Child safety lock

##### Design & Innovation

- Black ceramic glass with stainless steel flush-fitted trim

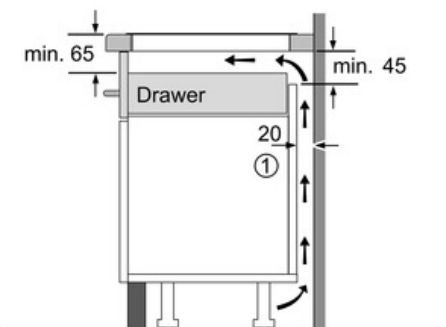
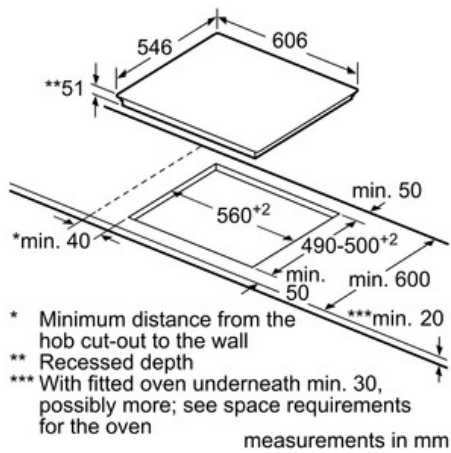
##### Technical Information

- 60 cm width
- Installation measurements: 560 mmx490 mm
- Length wire connection: 110 cm
- Min. worktop thickness: 30 mm
- 7.4 kW total connected load
- Cable included

T66TS61N0  
 FLEXINDUCTION COOKTOP WITH TWISTPAD® FIRE

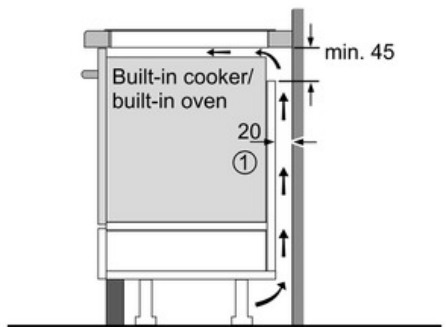
CONTROL

Dimensioned drawings



① Ventilation gap must be present.

Measurements in mm



① Ventilation gap must be present

All measurements in mm