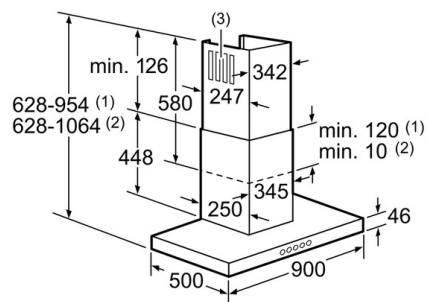




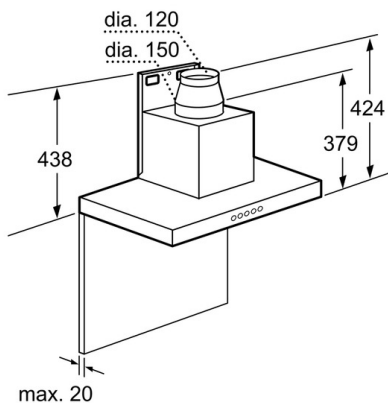
- 90 cm Chimney hood
- For wall mounted installation
- Appliance colour: Stainless steel
- Suitable for ducted extraction and recirculation
- Accessories required for recirculated extraction:
 - Recirculating kit
- EASY Installation
- Electronic controls
- Push button controls (3 power levels + 2 intensive levels) with 7-segment display
- Extraction rate according to EN 61591 \varnothing 15 cm:
 - max. Normal use 460 m³/h
 - Intensive 730 m³/h
- Efficient BLDC brushless motor technology
- Automatic intensive revert setting - 6 min
- Automatic run on - 10 min
- 3 x 3 Watt LED Lights
- Softlight with dimming function
- Dishwasher safe metal grease filters
- Saturation indicator for grease filters
- Noise min./max. Normal Level: 45/55 dB
- Additional noise insulation mats for optimised sound absorption
- Power rating: 139 W
- Diameter pipe \varnothing 150 mm (\varnothing 120 mm enclosed)
- Dimensions exhaust air (HxWxD): 628-954 x 900 x 500 mm
- Dimensions recirculating (HxWxD): 628-1064 x 900 x 500 mm
- Electrical cable length 1.3 m

90 cm Chimney hood D79SH52N0 slimLine design

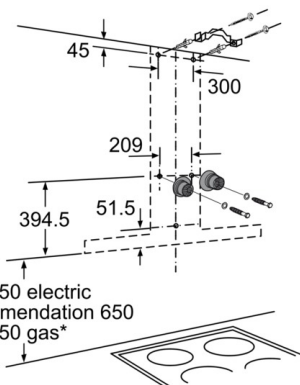


- (1) Exhaust air
- (2) Circulated air
- (3) Air outlet - install with vent at bottom for exhaust air

Measurements in mm



Measurements in mm



* from upper edge of pan support

Measurements in mm

Characteristics

Color chimney : Stainless steel
 Typology : Chimney
 Approval certificates : CE, VDE
 Length electrical supply cord (cm) : 130
 Height of the chimney (mm) : 582-908/582-1018
 Height of product, without chimney (mm) : 46
 Minimum distance above an electric hob : 550
 Minimum distance above a gas hob : 650
 Net weight (kg) : 18.0
 Type of control : Electronic
 Number of speed settings : 3-stage + 2 intensive
 Maximum output air extraction (m³/h) : 460
 Boost position output recirculating (m³/h) : 440
 Maximum output recirculating air (m³/h) : 340
 Boost position air extraction (m³/h) : 730
 Number of lights : 3
 Noise level (dB) : 55
 Diameter of air outlet (mm) : 120 / 150
 Grease filter material : Washable aluminium
 EAN code : 4242004174486

Consumption and connection features

Connection Rating (W) : 139
 Current (A) : 10
 Voltage (V) : 220-240
 Frequency (Hz) : 50; 60
 Plug type : Gardy plug w/ earthing
 Installation typology : Wall-mounted
 2016-05-13

Alternative colors available

D79SH52N0:Stainless steel

Optional accessories

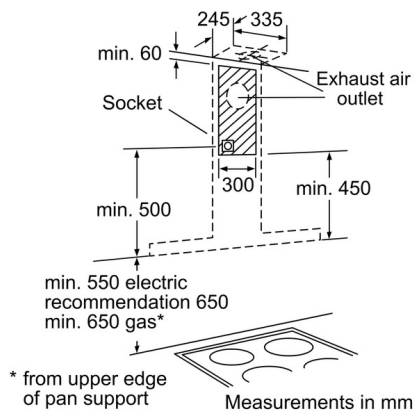
Z5102X1 Active carbon filter

Z5102X5 Recirculating kit

EAN code

4242004174486

90 cm Chimney hood Technical Data 1



90 cm Chimney hood

Technical Data 2