



Controls at the bottom

Right-hinged

BMP 224 100

Full glass door in Gaggenau Anthracite

Width 60 cm

BMP 224 110

Full glass door in Gaggenau Metallic

Width 60 cm

Left-hinged

BMP 225 100

Full glass door in Gaggenau Anthracite

Width 60 cm

BMP 225 110

Full glass door in Gaggenau Metallic

Width 60 cm

Included in the price

1 glass tray

1 wire rack

Microwave oven 200 series

BMP 224/BMP 225

- Flush installation
- Handleless door / automatic door opening
- Single operation and combination of microwave and grill
- Sequential operation of up to 5 modes incl. programming of combined operation and rest time
- TFT touch display
- Electronic temperature control
- Interior volume 21 litres

Programmes

Microwave operation with 5 output levels: 900, 600, 360, 180, 90 W. Full surface grill with 3 levels of intensity, maximum output 1300 W. Full surface grill with microwave output levels 360, 180 and 90 W combinable. 10 automatic programmes with weight indication: 3 defrosting programmes 4 cooking programmes 3 combination programmes Option to save individual recipes.

Handling

Automatic door opening. Rotary knob and TFT touch display operation. Clear text display in 25 languages. Information key with use indicators. Side-opening door opens up to 110° angle.

Features

Innowave. Actual temperature display. 25 W interior light. Hygienic stainless steel interior with glass ceramic base.

Safety

Thermally insulated door with double glazing. Triple door lock. Child lock. Safety shut-off. Cooled housing with temperature protection.

Planning notes

Door hinge not reversible. Minimum installation height 85 cm (top edge of niche bottom). Height-adjustable feet. Installation of BMP above BOP with intermediate shelf. Necessary lateral gap between appliance door and furniture panel of min. 5 mm. When planning a corner solution, pay attention to the 90° door opening angle.

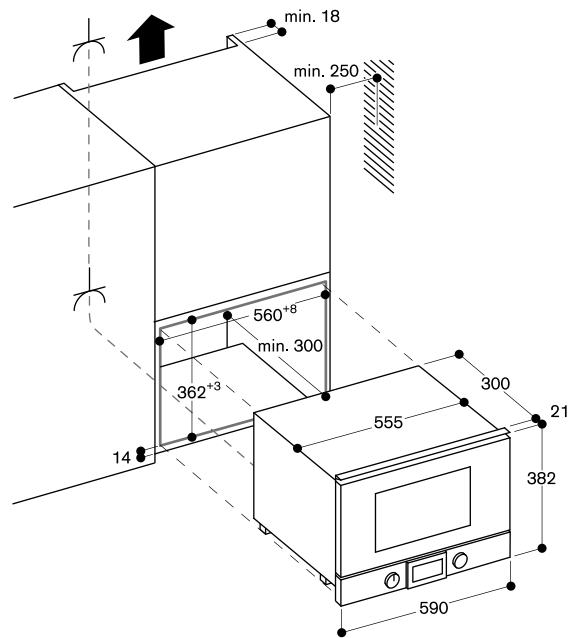
Please read the installation details regarding air ducting on page 8/9.

Connection

Total connected load 2.0 kW. Connecting cable with 10 amp plug.

230-240V/50Hz

Installation in a wall-hanging cupboard



Installation in a tall cupboard

