



Controls at the bottom

**Right-hinged**

**BMP 224 100**

Full glass door in Gaggenau Anthracite

Width 60 cm

**BMP 224 110**

Full glass door in Gaggenau Metallic

Width 60 cm

**Left-hinged**

**BMP 225 100**

Full glass door in Gaggenau Anthracite

Width 60 cm

**BMP 225 110**

Full glass door in Gaggenau Metallic

Width 60 cm

**Included in the price**

1 glass tray

1 wire rack

**Microwave oven 200 series**

BMP 224/BMP 225

- Flush installation
- Handleless door / automatic door opening
- Single operation and combination of microwave and grill
- Sequential operation of up to 5 modes incl. programming of combined operation and rest time
- TFT touch display
- Electronic temperature control
- Interior volume 21 litres

**Programmes**

Microwave operation with 5 output levels: 900, 600, 360, 180, 90 W.

Full surface grill with 3 levels of intensity, maximum output 1300 W.

Full surface grill with microwave output levels 360, 180 and 90 W combinable.

10 automatic programmes with weight indication:

3 defrosting programmes

4 cooking programmes

3 combination programmes

Option to save individual recipes.

**Handling**

Automatic door opening.

Rotary knob and TFT touch display operation.

Clear text display in 25 languages.

Information key with use indicators.

Side-opening door opens up to 110° angle.

**Features**

Innowave.

Actual temperature display.

25 W interior light.

Hygienic stainless steel interior with glass ceramic base.

**Safety**

Thermally insulated door with double glazing.

Triple door lock.

Child lock.

Safety shut-off.

Cooled housing with temperature protection.

**Planning notes**

Door hinge not reversible.

Minimum installation height 85 cm (top edge of niche bottom).

Height-adjustable feet.

Installation of BMP above BOP with intermediate shelf.

Necessary lateral gap between appliance door and furniture panel of min. 5 mm.

When planning a corner solution, pay attention to the 90° door opening angle.

Please read the installation details regarding air ducting on page 8/9.

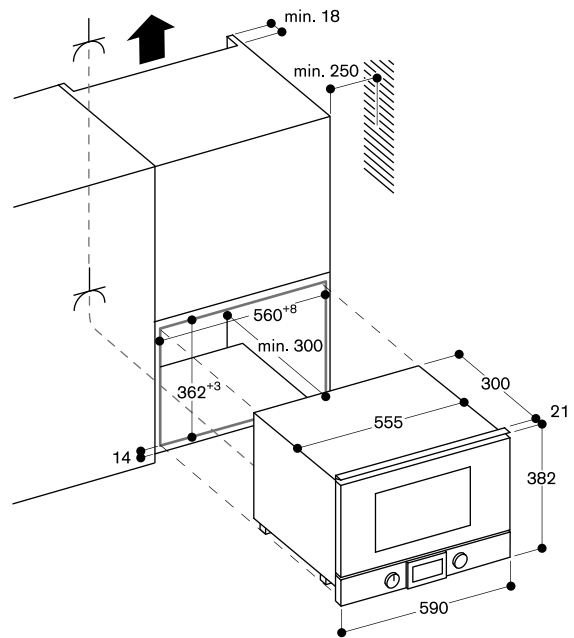
**Connection**

Total connected load 2.0 kW.

Connecting cable with 10 amp plug.

230-240V/50Hz

**Installation in a wall-hanging cupboard**



**Installation in a tall cupboard**

