



WSP 222 100

Glass front in Gaggenau Anthracite
Width 60 cm, Height 29 cm

WSP 222 110

Glass front in Gaggenau Metallic
Width 60 cm, Height 29 cm

Warming drawer 200 series

WSP 222

- Flush installation
- Handleless drawer
- Push-to-open system
- Hygienic stainless steel interior with glass bottom
- 4 power levels in the temperature range 40 °C to 80 °C (glass surface)
- Also for preparing and cooking meals, and for keeping meals warm

Heating methods

Defrosting of meals/proving of yeast dough.
Preheating of small beverage containers.
Keeping meals warm/slow cooking meals.
Warming ovenware.

Handling

Rotary knob operation.

Features

Net volume 52 litres.
Volume capacity: Dinner service for 12 people including ø24 cm plates and soup bowls, additional bowls and a serving dish depending on size.
Max. load 25 kg.
Usable interior dimensions W 468 x H 242 x D 458 mm.
Heating under glass bottom for easy cleaning.
Fan for even heat distribution for fast warming ovenware.
Status display, visible in the glass front.
Glass bottom made of safety glass.

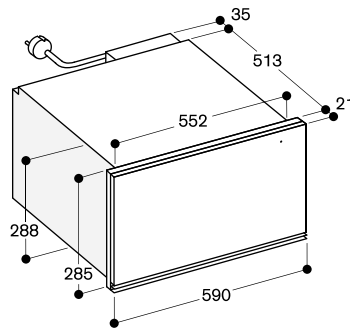
Planning notes

Necessary lateral gap between appliance front and furniture panel of min. 5 mm.
Installation of BOP/BSP/BMP/CMP directly above WSP in 59 cm niche without intermediate floor.
The socket can be planned behind the appliance.

Connection

Total connected load 0.81 kW.
Connecting cable with 10amp plug.

230-240V/50Hz



WSP 222 below BOP

