



**Combi-microwave oven 200 series**  
BMP 250/BMP 251

- Flush installation
- Single operation and combination of microwave, grill and oven
- Sequential operation of up to 5 modes incl. programming of combined operation and rest time
- TFT touch display
- Panel-free appliance with surface display module
- Electronic temperature control
- Interior volume 36 litres

**Programmes**

Microwave operation with 5 output levels: 1000, 600, 360, 180, 90 W.  
Oven operation with 4 heating methods:  
Hot air 40 °C and from 100 °C to 250 °C,  
Full surface grill + hot air from 100 °C to 250 °C,  
Full surface grill + circulated air from 100 °C to 250 °C  
Full surface grill with 3 levels of intensity, maximum output 2000 W.  
Heating methods with microwave output levels 600, 360, 180 and 90 W freely combinable.  
15 automatic programmes with weight indication, customisable:  
4 defrosting programmes  
4 cooking programmes  
7 combination programmes  
Option to save individual recipes.

**Handling**

Rotary knob and TFT touch display operation.  
Clear text display in 25 languages.  
Information key with use indications.  
Side-opening door opens up to 110° angle.

**Features**

Innowave.  
Rapid heating.  
4 rack levels.  
Actual temperature display.  
60 W halogen light on the side.

**Safety**

Thermally insulated door with triple glazing.  
Triple door lock.  
Child lock.  
Safety shut-off.  
Cooled housing with temperature protection.

**Cleaning**

Hygienic stainless steel interior with glass ceramic base.  
Interior back wall with catalytic coating.

**Planning notes**

Door hinge not reversible.  
Plan the niche without back wall.  
Necessary lateral gap between appliance door and furniture panel of min. 5 mm.  
The outer edge of the door handle extends 72 mm from the furniture cavity.  
Consider the overhang, incl. the door handle, when planning to open drawers next to the appliance.  
When planning a corner solution, pay attention to the 110° door opening angle.  
The mains socket needs to be planned outside of the built-in niche.

Controls at the top

**Right-hinged**

**BMP 250 100**

Full glass door in Gaggenau Anthracite  
Width 60 cm

**BMP 250 110**

Full glass door in Gaggenau Metallic  
Width 60 cm

**Left-hinged**

**BMP 251 100**

Full glass door in Gaggenau Anthracite  
Width 60 cm

**BMP 251 110**

Full glass door in Gaggenau Metallic  
Width 60 cm

**Included in the price**

1 combination wire rack

1 glass tray

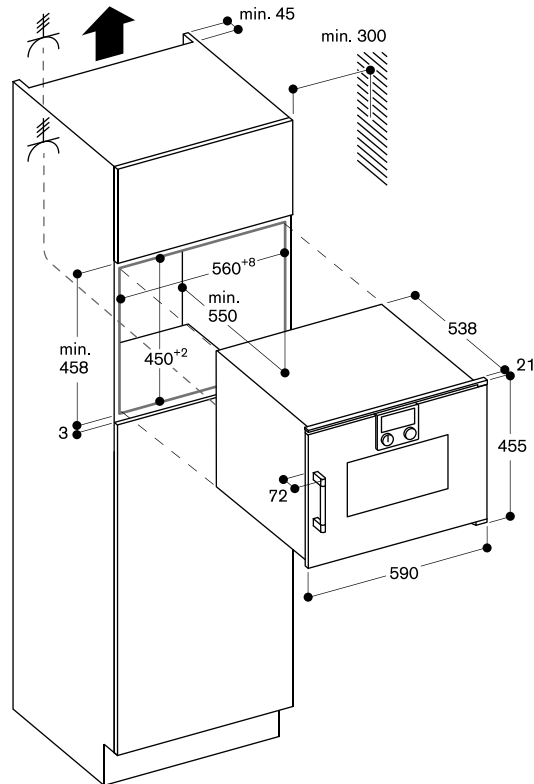
Please read the installation details regarding air ducting on page 8/9.

**Connection**

Total connected load 3.1 kW.

Connecting cable with 15amp plug.

230-240V/50Hz



**Side view of BSP, BMP over BOP**

