



WS 462 110

Stainless steel-backed glass frontage
Width 60 cm, Height 29 cm

Warming drawer 400 series WS 462

- Handleless drawer
- Bright interior light
- Cushioned closing system
- Hygienic stainless steel interior with glass bottom
- 4 power levels in the temperature range 40 °C to 80 °C (glass surface)
- Also for preparing and cooking meals, and for keeping meals warm

Heating methods

Defrosting of meals/proving of yeast dough.
Preheating of small beverage containers.
Keeping meals warm/slow cooking meals.
Warming ovenware.

Handling

Rotary knob operation.
Recessed grip at the front bottom of the drawer.

Features

Net volume 51 litres.
Volume capacity: Dinner service for 12 people including $\varnothing 24$ cm plates and soup bowls, additional bowls and a serving dish depending on size.
Max. load 25 kg.
Usable interior dimensions W 475 x H 236 x D 458 mm.
Heating under glass bottom for easy cleaning.
Fan for even heat distribution for fast warming ovenware.
Status display, visible in the glass front.
Glass bottom made of safety glass.

Planning notes

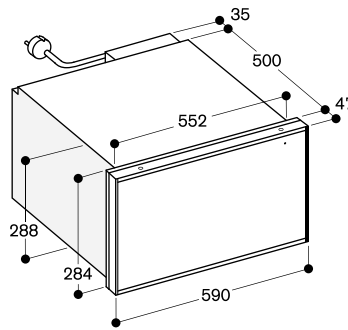
The panel surface of the appliance extends 47 mm from the furniture cavity.
Installation of BO/BS/BM/CM directly above WS in 59 cm niche without intermediate floor.
The switch socket can be planned behind the appliance.

Please read the installation details regarding air ducting on page 8/9.

Connection

Total connected load 0.81 kW.
Connecting cable with 10amp plug.

230 - 240V/50Hz



Side view of WS 462 below BO

