

SL906 L EXCEL 1000

100CM UNDERMOUNT HOOD



let's get
Sirius
with rangehood design



SL906 L EXCEL 1000

Features and Benefits:

UNDERMOUNT DESIGN	Streamline, modern and unobtrusive design, potentially allows greater use of cupboard space above hob
LED STRIP LIGHTING	Energy efficient, Better illumination of cooking area, Longer life span than standard globes, Modern aesthetic
25MM COMMERCIAL STAINLESS STEEL BAFFLE FILTERS	Commercial design, Dishwasher safe, Designed for greatest air movement for maximum performance, Easy to fit and remove, Lifetime filters: last the life of the hood
INDUCTION COUNTDOWN CONTROL	10 minute auto function used at the end of cooking to reduce condensation build up common to induction cooking. 'C' shaped baffles eliminates moisture dripping onto cooking surface
LARGER DUCTING DIAMETER	Greater extraction and lower dB rating due to less air flow restriction
CLEAN FILTER INDICATOR	Takes the guessing game out of maintaining your hood
MADE IN ITALY- German Made Motor	Units are designed specifically for the Australian market and manufactured in Italy by dedicated boutique specialist manufacture

Distributed by Arisit Pty Ltd

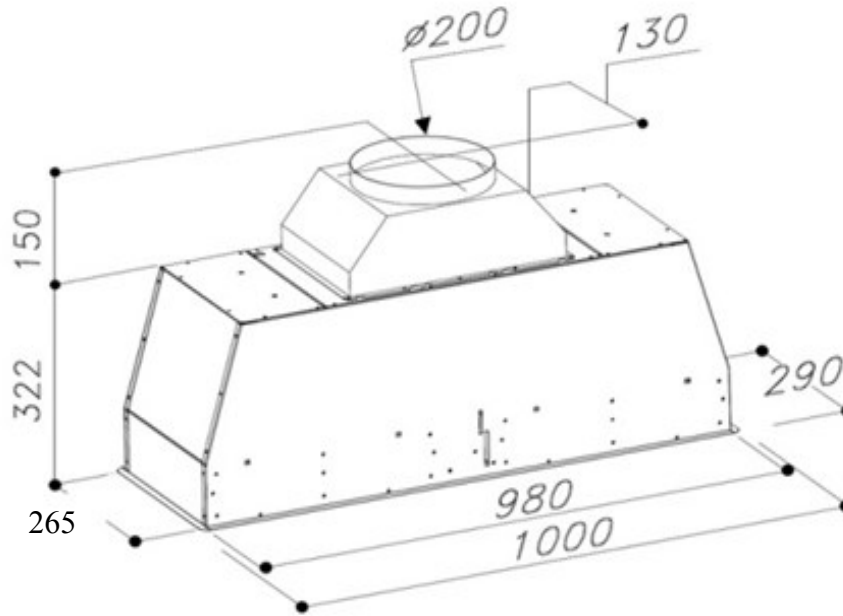
40-44 Mark Anthony Drive, Dandenong South VIC 3175 Ph: 1300 762 219 Fax: 03 9768 0838 Website: www.arisit.com

SL906 L EXCEL 1000

100CM UNDERMOUNT HOOD



let's get
Sirius
with rangehood design



Technical Specifications:

MODEL	SL906 L EXCEL 1000
CONTROL PANEL	ELECTRONIC
MOTOR	TWIN ALUMINIUM EBM
EXTRACTION	2000m/3h
DUCTING DIAMETER	200mm
LIGHTS	14W LED LIGHT
FILTER	25mm COMMERCIAL STAINLESS STEEL BAFFLE
ELECTRICAL REQUIREMENT	10A
PRODUCT DIMENSIONS	1000 x 290 X472

WARNING: technical specifications and product sizes can be varied by the manufacturer, without notice. Cut outs for appliances should only be by physical product measurements. The above information is indicative only.

Distributed by Arisit Pty Ltd

40-44 Mark Anthony Drive, Dandenong South VIC 3175 Ph: 1300 762 219 Fax: 03 9768 0838 Website: www.arisit.com